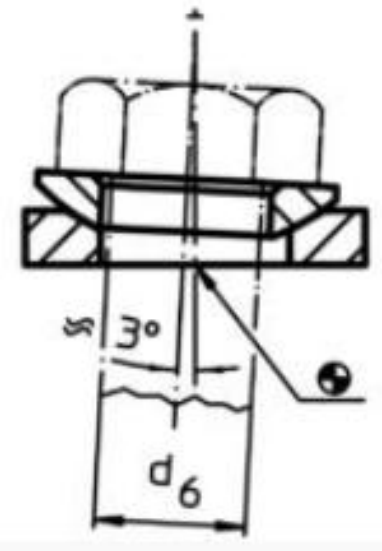
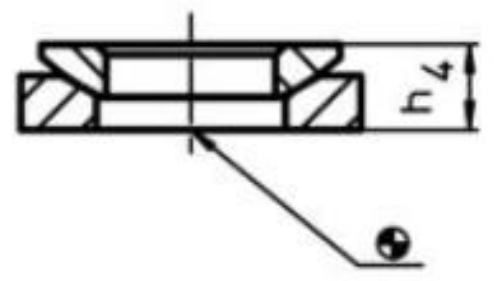
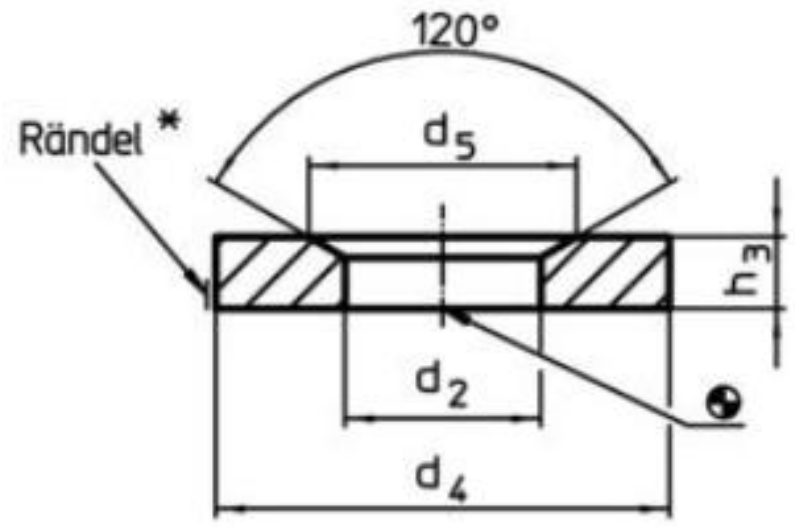


| Artikel-Nr. SToxxparts | Abmessungen | | | | | | | | | | | für Bolzen d 6 | für Schrauben d 6 | Belastbarkeit bei statischer Belastung max. | Drehmoment für Schraubver- bindungen max. | Gewicht |
|---------------------------|----------------|----------------|----------------|----------------|----------------|----------------|----------------|----------------|---|---|----------------|----------------------|-------------------------|---|---|---------|
| | d ₁ | d ₂ | d ₃ | d ₄ | d ₅ | h ₁ | h ₂ | h ₃ | h ₄ | | r ₁ | | | | | |
| | H13 | H13 | | | | | | | mit Kegel- pfanne Form D ~ | mit Kegel- pfanne Form G ~ | | | | | | |
| | [mm] | | | | | | | | | | | | | | | |
| 17000115001 | - | 7.1 | - | 17 | 11 | - | - | 4 | - | - | - | 6 | M 6 | 6 | 6 | 5.8 |
| 17000115002 | - | 9.6 | - | 24 | 14.5 | - | - | 5 | - | - | - | 8 | M 8 | 12 | 16 | 15 |
| 17000115003 | - | 12 | - | 30 | 18.5 | - | - | 5 | - | - | - | 10 | M10 | 16 | 32 | 22 |
| 17000115004 | - | 14.2 | - | 36 | 20 | - | - | 6 | - | - | - | 12 | M12 | 24 | 56 | 40 |
| 17000115005 | - | 19 | - | 44 | 26 | - | - | 7 | - | - | - | 16 | M16 | 45 | 135 | 66 |
| 17000115006 | - | 23.2 | - | 50 | 31 | - | - | 8 | - | - | - | 20 | M20 | 71 | 280 | 95 |
| 17000115007 | - | 28 | - | 60 | 37 | - | - | 10 | - | - | - | 24 | M24 | 105 | 455 | 171 |
| 17000115008 | - | 35 | - | 68 | 49 | - | - | 12 | - | - | - | 30 | M30 | 191 | 1050 | 236 |



| | | | |
|--|--|--|-------------------------|
| | | tolerance DIN2768-mk | |
| | | | |
| | | Datum | Name |
| | | Gezeichnet | 04.05.2020 Philipp Joos |
| | | Kontroll | |
| | | Norm | |
| | | Kugelscheiben, Kegelpfannen, Edelstahl, Edelstahl 1.4305 | |
| | | 17000115000 | |
| | | weight N/A | |
| | | scale 1:1 | |

| | | | |
|--------------|---------------|----------------|----------------|
| Erstfreigabe | 05.05.2020 | | PJ |
| Rev. | Änderungstext | Änderungsdatum | Änderungsstamm |
| | | | Gen. |