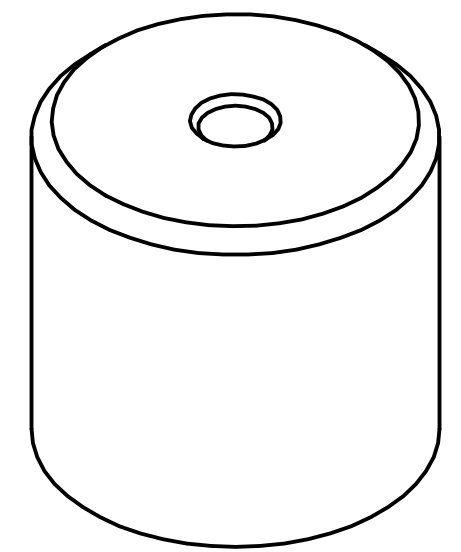
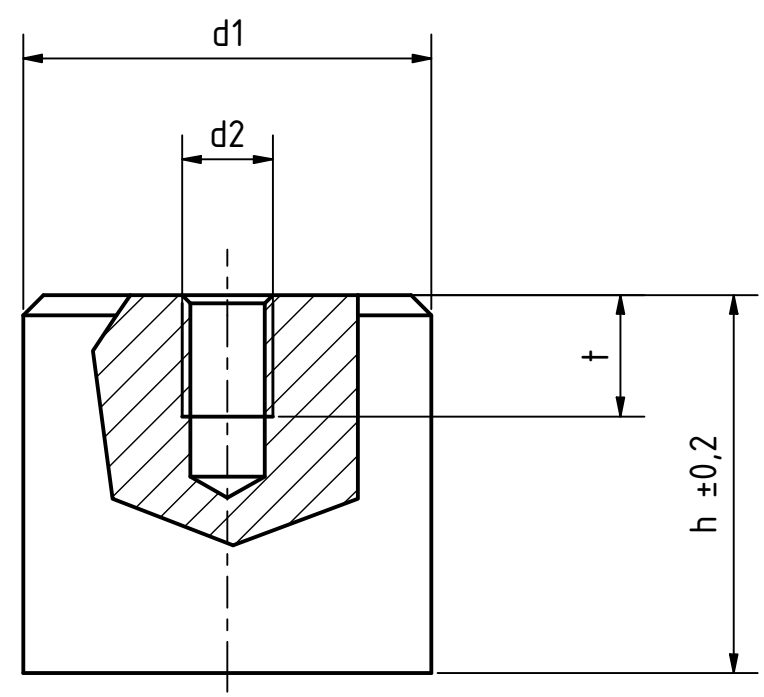
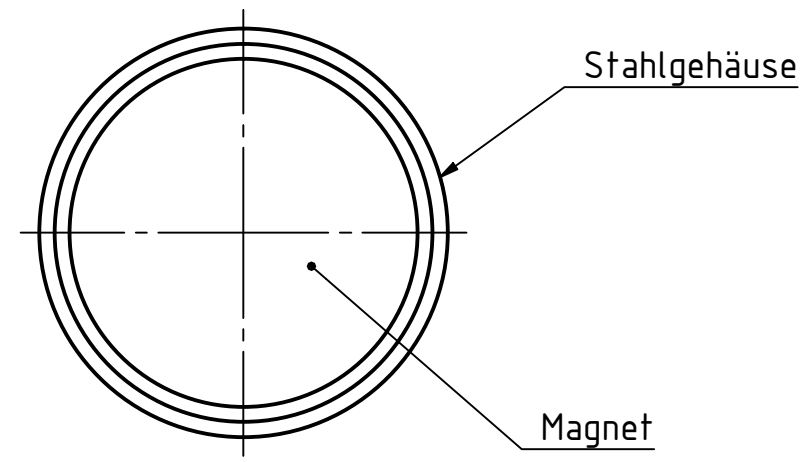



| Artikel-Nr. SToxxparts | d1 mm | d2 mm | h mm | t mm | FN (Nennhaftkraft) N |
|---------------------------|----------|----------|---------|---------|-------------------------|
| 05000754001 | 12.5 | M4 | 16 | 6 | 20 |
| 05000754002 | 17 | M6 | 16 | 5 | 26 |
| 05000754003 | 21 | M6 | 19 | 7 | 40 |
| 05000754004 | 27 | M6 | 25 | 8 | 65 |
| 05000754005 | 35 | M6 | 30 | 9 | 150 |



Stahlgehäuse
Magnetwerkstoff: Aluminium, Nickel, Cobalt (AlNiCo)

|  ...der Normteile | | tolerance DIN2768-mk | | | | | | | | | | | |
|---|-------|---|-----------------------------|------------|-------|------|------------|--|---------------|----------|--|--|------|
| | | <table border="1"> <thead> <tr> <th>Gezeichnet</th> <th>Datum</th> <th>Name</th> </tr> </thead> <tbody> <tr> <td>24.02.2021</td> <td></td> <td>Dennis Bruder</td> </tr> <tr> <td>Kontroll</td> <td></td> <td></td> </tr> <tr> <td>Norm</td> <td></td> <td></td> </tr> </tbody> </table> | | Gezeichnet | Datum | Name | 24.02.2021 | | Dennis Bruder | Kontroll | | | Norm |
| Gezeichnet | Datum | Name | | | | | | | | | | | |
| 24.02.2021 | | Dennis Bruder | | | | | | | | | | | |
| Kontroll | | | | | | | | | | | | | |
| Norm | | | | | | | | | | | | | |
| | | | Haltmagnet mit Innengewinde | | | | | | | | | | |
| | | | 05000754000 | | | | | | | | | | |
| | | | 1 | | | | | | | | | | |
| | | | A3 | | | | | | | | | | |
| weight - | | | scale 2:1 | | | | | | | | | | |

| REVISIONSVERLAUF | | | | |
|------------------|---------------|----------------|----------------|------|
| Rev. | Änderungstext | Änderungsdatum | Änderungsstamm | Gen. |
| | Erstfreigabe | | | PJ |