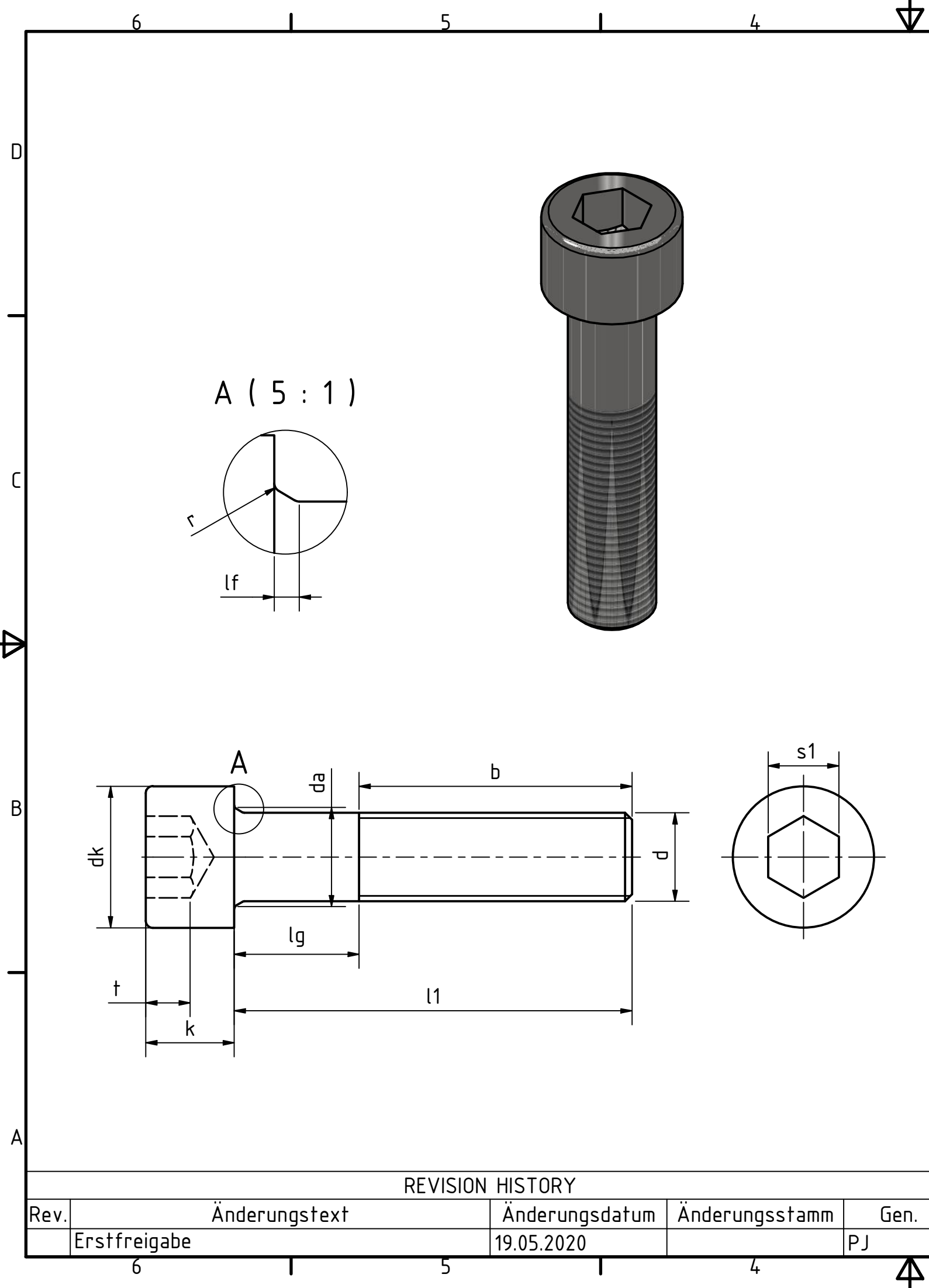


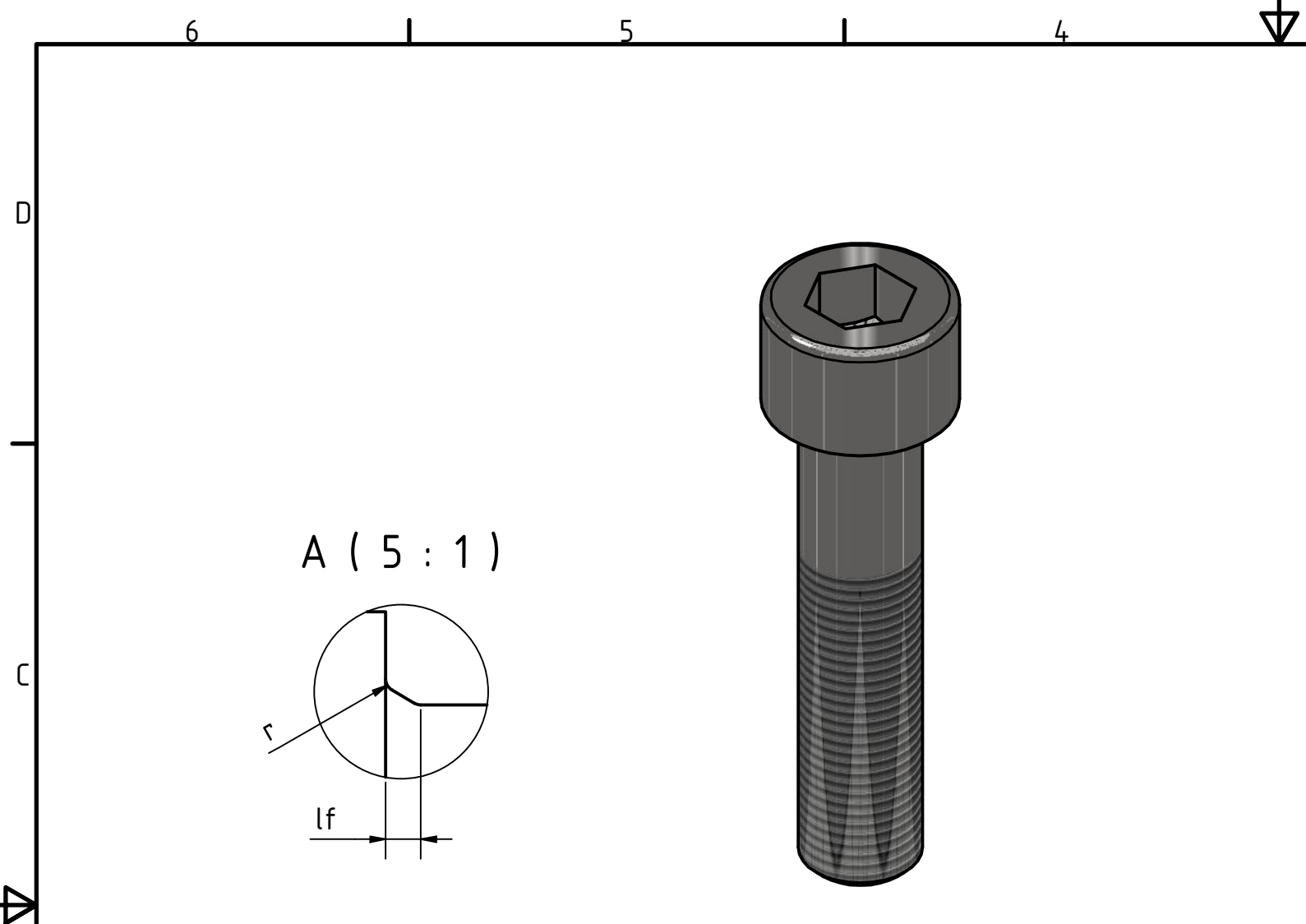
| DIN 912 | | | | | | | | | |
|---------------------------|----------|----|-----|----|-------|----|----|----|----------------|
| Artikel-Nr. SToxxparts | Gewinde | d | l1 | b | lf | dk | k | s1 | Gewicht [g] |
| 01000054001 | M8x1 | 8 | 20 | 20 | 1.02 | 13 | 8 | 6 | 13.40 |
| 01000054002 | M8x1 | 8 | 25 | 25 | 1.02 | 13 | 8 | 6 | 15.00 |
| 01000054003 | M8x1 | 8 | 30 | 30 | 1.02 | 13 | 8 | 6 | 16.90 |
| 01000054004 | M8x1 | 8 | 35 | 35 | 1.02 | 13 | 8 | 6 | 18.90 |
| 01000054005 | M10x1 | 10 | 30 | 30 | 1.02 | 16 | 10 | 8 | 27.90 |
| 01000054006 | M10x1 | 10 | 35 | 35 | 1.02 | 16 | 10 | 8 | 31.00 |
| 01000054007 | M10x1 | 10 | 40 | 40 | 1.02 | 16 | 10 | 8 | 34.10 |
| 01000054008 | M10x1 | 10 | 45 | 32 | 1.02 | 16 | 10 | 8 | 37.20 |
| 01000054009 | M10x1 | 10 | 50 | 32 | 1.02 | 16 | 10 | 8 | 40.30 |
| 01000054010 | M10x1.25 | 10 | 20 | 20 | 1.02 | 16 | 10 | 8 | 22.90 |
| 01000054011 | M10x1.25 | 10 | 25 | 25 | 1.02 | 16 | 10 | 8 | 25.00 |
| 01000054012 | M10x1.25 | 10 | 30 | 30 | 1.02 | 16 | 10 | 8 | 27.90 |
| 01000054013 | M10x1.25 | 10 | 40 | 40 | 1.02 | 16 | 10 | 8 | 33.85 |
| 01000054014 | M10x1.25 | 10 | 50 | 32 | 1.02 | 16 | 10 | 8 | 40.00 |
| 01000054015 | M10x1.25 | 10 | 60 | 32 | 1.02 | 16 | 10 | 8 | 45.20 |
| 01000054016 | M10x1 | 10 | 60 | 32 | 1.02 | 16 | 10 | 8 | 45.80 |
| 01000054017 | M10x1 | 10 | 70 | 32 | 1.02 | 16 | 10 | 8 | 52.70 |
| 01000054018 | M10x1 | 10 | 80 | 32 | 1.02 | 16 | 10 | 8 | 58.90 |
| 01000054019 | M10x1 | 10 | 90 | 32 | 1.02 | 16 | 10 | 8 | 65.10 |
| 01000054020 | M10x1 | 10 | 100 | 32 | 1.02 | 16 | 10 | 8 | 70.00 |
| 01000054021 | M12x1.5 | 12 | 30 | 30 | 1.445 | 18 | 12 | 10 | 39.30 |
| 01000054022 | M12x1.5 | 12 | 35 | 35 | 1.445 | 18 | 12 | 10 | 42.90 |
| 01000054023 | M12x1.5 | 12 | 40 | 40 | 1.445 | 18 | 12 | 10 | 47.30 |
| 01000054024 | M12x1.5 | 12 | 50 | 50 | 1.445 | 18 | 12 | 10 | 56.10 |
| 01000054025 | M12x1.5 | 12 | 60 | 36 | 1.445 | 18 | 12 | 10 | 64.90 |
| 01000054026 | M12x1.5 | 12 | 65 | 36 | 1.445 | 18 | 12 | 10 | 70.10 |
| 01000054027 | M12x1.5 | 12 | 70 | 36 | 1.445 | 18 | 12 | 10 | 73.70 |
| 01000054028 | M12x1.5 | 12 | 80 | 36 | 1.445 | 18 | 12 | 10 | 81.25 |

| | | | |
|--------------------|---------------|----------------------|--|
| SToxx parts | | tolerance DIN2768-mk | |
| ... der Normteile | | | |
| Gezeichnet | Datum | Name | DIN 912 12.9 Fein Zylinderschrauben mit Innensechskant, mit metrischem Feingewinde |
| Kontrolliert | 18.05.2020 | Philipp Joos | |
| Norm | | | |
| REVISION HISTORY | | 01000054000 | |
| Rev. | Änderungstext | Änderungsdatum | 1 |
| | Erstfreigabe | 19.05.2020 | A3 |
| Status | Änderungen | Datum | weight N/A |
| | | | scale 2:1 |

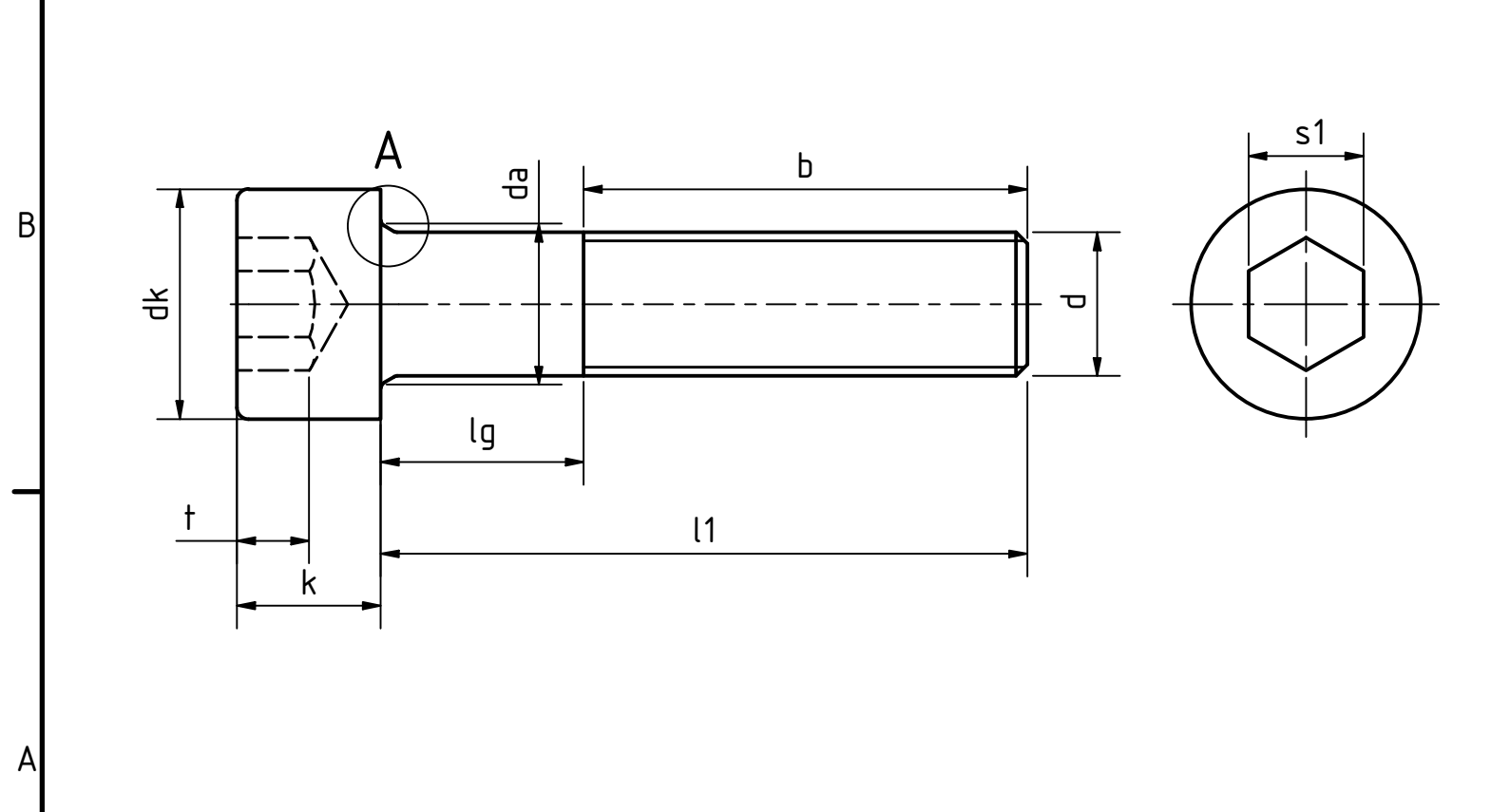


| DIN 912 | | | | | | | | | |
|---------------------------|---------|----|-----|----|-------|----|----|----|----------------|
| Artikel-Nr. SToxxparts | Gewinde | d | l1 | b | lf | dk | k | s1 | Gewicht [g] |
| 01000054029 | M14x1.5 | 14 | 35 | 35 | 1.445 | 21 | 14 | 12 | 58.00 |
| 01000054030 | M14x1.5 | 14 | 40 | 40 | 1.445 | 21 | 14 | 12 | 63.00 |
| 01000054031 | M14x1.5 | 14 | 45 | 45 | 1.445 | 21 | 14 | 12 | 69.00 |
| 01000054032 | M14x1.5 | 14 | 50 | 50 | 1.445 | 21 | 14 | 12 | 80.00 |
| 01000054033 | M14x1.5 | 14 | 60 | 40 | 1.445 | 21 | 14 | 12 | 90.00 |
| 01000054034 | M14x1.5 | 14 | 80 | 40 | 1.445 | 21 | 14 | 12 | 113.00 |
| 01000054035 | M14x1.5 | 14 | 100 | 40 | 1.445 | 21 | 14 | 12 | 129.00 |
| 01000054036 | M16x1.5 | 16 | 30 | 30 | 1.445 | 24 | 16 | 14 | 77.80 |
| 01000054037 | M16x1.5 | 16 | 35 | 35 | 1.445 | 24 | 16 | 14 | 84.40 |
| 01000054038 | M16x1.5 | 16 | 40 | 40 | 1.445 | 24 | 16 | 14 | 91.00 |
| 01000054039 | M16x1.5 | 16 | 45 | 45 | 1.445 | 24 | 16 | 14 | 97.60 |
| 01000054040 | M16x1.5 | 16 | 50 | 50 | 1.445 | 24 | 16 | 14 | 106.00 |
| 01000054041 | M16x1.5 | 16 | 60 | 60 | 1.445 | 24 | 16 | 14 | 122.00 |
| 01000054042 | M16x1.5 | 16 | 70 | 44 | 1.445 | 24 | 16 | 14 | 138.00 |
| 01000054043 | M16x1.5 | 16 | 80 | 44 | 1.445 | 24 | 16 | 14 | 154.00 |
| 01000054044 | M16x1.5 | 16 | 90 | 44 | 1.445 | 24 | 16 | 14 | 173.20 |
| 01000054045 | M16x1.5 | 16 | 100 | 44 | 1.445 | 24 | 16 | 14 | 186.00 |
| 01000054046 | M16x1.5 | 16 | 110 | 44 | 1.445 | 24 | 16 | 14 | 206.50 |
| 01000054047 | M16x1.5 | 16 | 120 | 44 | 1.445 | 24 | 16 | 14 | 218.00 |
| 01000054048 | M16x1.5 | 16 | 130 | 44 | 1.445 | 24 | 16 | 14 | 233.33 |
| 01000054049 | M16x1.5 | 16 | 140 | 44 | 1.445 | 24 | 16 | 14 | 252.80 |
| 01000054050 | M16x1.5 | 16 | 150 | 44 | 1.445 | 24 | 16 | 14 | 268.80 |
| 01000054051 | M16x1.5 | 16 | 160 | 44 | 1.445 | 24 | 16 | 14 | 282.00 |

| | | | | | |
|--------------------|---------------|----------------|----------------|--|-----------|
| STOXX parts | | | | tolerance DIN2768-mk | |
| ...der Normteiler | | | | | |
| | Datum | Name | | DIN 912 12.9 Fein Zylinderschrauben mit Innensechskant, mit metrischem Feingewinde | |
| | Gezeichnet | Philipp Joos | | | |
| | Kontroll | | | | |
| | Norm | | | | |
| REVISION HISTORY | | | | 01000054000 | |
| Rev. | Änderungstext | Änderungsdatum | Änderungsstamm | Gen. | 2 |
| | Erstfreigabe | 19.05.2020 | | PJ | A3 |
| | | | | weight N/A | scale 2:1 |



| DIN 912 | | | | | | | | | |
|---------------------------|---------|----|-----|----|------|----|----|----|----------------|
| Artikel-Nr. SToxxparts | Gewinde | d | l1 | b | lf | dk | k | s1 | Gewicht [g] |
| 01000054052 | M20x1.5 | 20 | 40 | 40 | 2.04 | 30 | 20 | 17 | 150.00 |
| 01000054053 | M20x1.5 | 20 | 50 | 50 | 2.04 | 30 | 20 | 17 | 172.00 |
| 01000054054 | M20x1.5 | 20 | 60 | 60 | 2.04 | 30 | 20 | 17 | 195.00 |
| 01000054055 | M20x1.5 | 20 | 70 | 70 | 2.04 | 30 | 20 | 17 | 220.00 |
| 01000054056 | M20x1.5 | 20 | 80 | 52 | 2.04 | 30 | 20 | 17 | 244.00 |
| 01000054057 | M20x1.5 | 20 | 100 | 52 | 2.04 | 30 | 20 | 17 | 294.00 |
| 01000054058 | M20x1.5 | 20 | 45 | 45 | 2.04 | 30 | 20 | 17 | 184.00 |
| 01000054059 | M20x1.5 | 20 | 55 | 55 | 2.04 | 30 | 20 | 17 | 208.50 |
| 01000054060 | M20x1.5 | 20 | 90 | 52 | 2.04 | 30 | 20 | 17 | 269.00 |
| 01000054061 | M24x2 | 24 | 50 | 50 | 2.04 | 36 | 24 | 19 | 306.40 |
| 01000054062 | M24x2 | 24 | 55 | 55 | 2.04 | 36 | 24 | 19 | 324.40 |
| 01000054063 | M24x2 | 24 | 60 | 60 | 2.04 | 36 | 24 | 19 | 336.00 |
| 01000054064 | M24x2 | 24 | 70 | 70 | 2.04 | 36 | 24 | 19 | 368.00 |
| 01000054065 | M24x2 | 24 | 80 | 80 | 2.04 | 36 | 24 | 19 | 399.20 |
| 01000054066 | M24x2 | 24 | 90 | 60 | 2.04 | 36 | 24 | 19 | 441.00 |
| 01000054067 | M24x2 | 24 | 100 | 60 | 2.04 | 36 | 24 | 19 | 481.00 |
| 01000054068 | M24x1.5 | 24 | 50 | 50 | 2.04 | 36 | 24 | 19 | 308.00 |
| 01000054069 | M24x1.5 | 24 | 60 | 60 | 2.04 | 36 | 24 | 19 | 344.00 |
| 01000054070 | M24x1.5 | 24 | 70 | 70 | 2.04 | 36 | 24 | 19 | 376.00 |



| | | | | | |
|--------------------|------------|--------------|------|--|--|
| SToxx parts | | | | tolerance DIN2768-mk | |
| ...der Normteile | | | | | |
| | Datum | Name | | DIN 912 12.9 Fein Zylinderschrauben mit Innensechskant, mit metrischem Feingewinde | |
| Gezeichnet | 18.05.2020 | Philipp Joos | | | |
| Kontroll | | | | | |
| Norm | | | | 01000054000 | |
| Status | Änderungen | Datum | Name | weight N/A | |
| | | | | scale 2:1 | |

| REVISION HISTORY | | | | |
|------------------|---------------|----------------|----------------|------|
| Rev. | Änderungstext | Änderungsdatum | Änderungsstamm | Gen. |
| | Erstfreigabe | 19.05.2020 | | PJ |