

Hohe Rändelmuttern • DIN 466 EH 24780.

Produktbeschreibung



Werkstoff

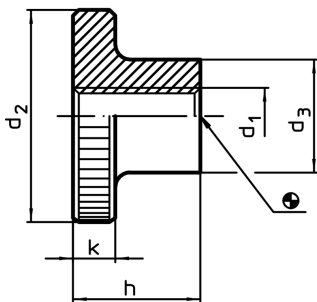
- Stahl, brüniert, Güte 5
- Rostfreier Stahl 1.4301, matt gestrahlt

Weiterführende Informationen

Hinweise

Rändelteilung und Rändeltiefe können von der DIN abweichen.

Maßzeichnung



Bestellinformationen

| d ₁ | d ₂ | Abmessungen | | | k | [g] | Art.-Nr. |
|-------------------------|----------------|----------------|------|------|-------|--------------------------|----------|
| | | d ₃ | h | [mm] | | | |
| Stahl | | | | | | | |
| M 3 | 12 | 6 | 7,5 | 2,5 | 2,9 | 24780.0030 | |
| M 4 | 16 | 8 | 9,5 | 3,5 | 6,7 | 24780.0040 | |
| M 5 | 20 | 10 | 11,5 | 4,0 | 12,0 | 24780.0050 | |
| M 6 | 24 | 12 | 15,0 | 5,0 | 23,0 | 24780.0060 | |
| M 8 | 30 | 16 | 18,0 | 6,0 | 44,0 | 24780.0080 | |
| M10 | 36 | 20 | 23,0 | 8,0 | 85,0 | 24780.0100 | |
| M12 | 40 | 22 | 25,0 | 10,0 | 119,0 | 24780.0120 ¹⁾ | |
| Rostfreier Stahl | | | | | | | |
| M 4 | 16 | 8 | 9,5 | 3,5 | 6,7 | 24780.0240 | |
| M 5 | 20 | 10 | 11,5 | 4,0 | 12,0 | 24780.0250 | |
| M 6 | 24 | 12 | 15,0 | 5,0 | 23,0 | 24780.0260 | |
| M 8 | 30 | 16 | 18,0 | 6,0 | 44,0 | 24780.0280 | |
| M10 | 36 | 20 | 23,0 | 8,0 | 85,0 | 24780.0300 | |

¹⁾ Abmessungen sind nicht in der DIN enthalten

Anwendungsbeispiel

