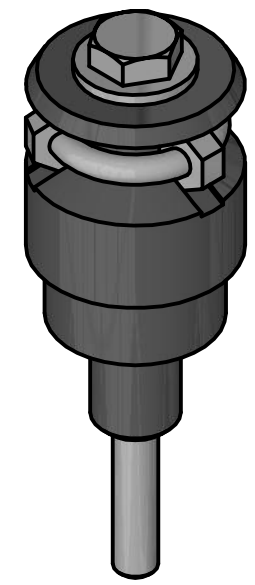
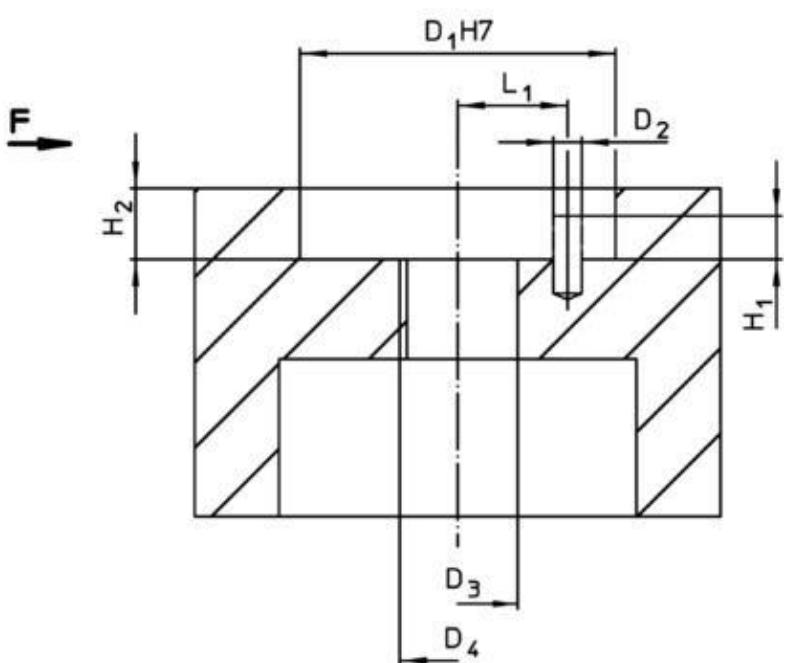
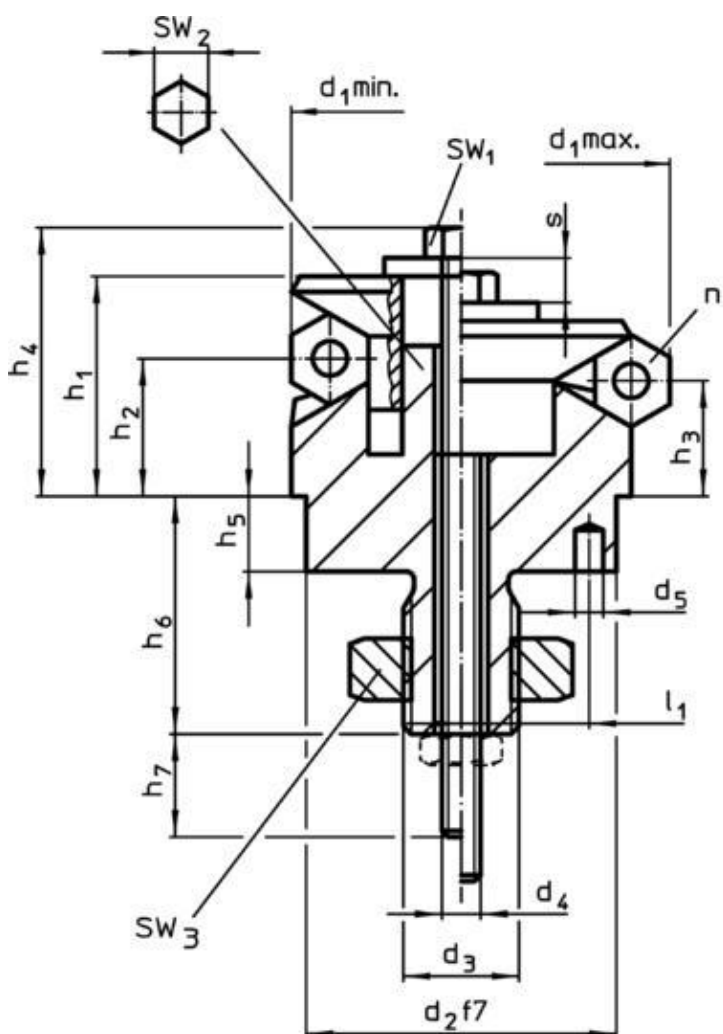


| Artikel-Nr. SToxxparts | Abmessungen | | | | | | | | | | | | | | Anzahl Segmente n | Hub S [mm] | SW | | | Spann- kraft F max. [kN] | Anzugs- dreh- moment max. [Nm] | Aufnahmebohrung | | | | | | | Gewicht [g] |
|---------------------------|------------------------|------------------------|----------------------|----------------|----------------|------------------------|----------------|----------------|----------------|----------------------|----------------|----------------------|---------------------|------------------------|-------------------------|------------------|------|----|----|--------------------------------------|--|----------------------|----------------|----------------|----------------|----------------|------------------------|------------------------|----------------|
| | d ₁ min. | d ₁ max. | d ₂ f7 | d ₃ | d ₄ | d ₅ +0.3 | h ₁ | h ₂ | h ₃ | h ₄ -2 | h ₅ | h ₆ +1 | h ₇ ~ | l ₁ ±0.1 | | | SW | SW | SW | | | D ₁ H7 | D ₂ | D ₃ | D ₄ | H ₁ | H ₂ +0.5 | L ₁ ±0.1 | |
| | [mm] | | | | | | | | | | | | | | | | [mm] | | | | | [mm] | | | | | | | |
| 17000280001 | 14.5 | 18.5 | 12 | M6 | M3 | 2 | 14.2 | 9.8 | 8.6 | 17 | 5.5 | 14.1 | 12 | 4.5 | 3 | 2.3 | 5.5 | 3 | 10 | 3.5 | 2 | 12 | 2 | 6 | M6 | 2.5 | 5.5 | 4.5 | 21 |
| 17000280002 | 18.5 | 22.5 | 15 | M8 | M4 | 2.5 | 16.6 | 11.5 | 10.4 | 20.5 | 7.5 | 18.2 | 14 | 5.5 | 3 | 2.3 | 7 | 5 | 13 | 4 | 5 | 15 | 2.5 | 8 | M8 | 3.5 | 7.5 | 5.5 | 46 |
| 17000280003 | 22.5 | 26.5 | 20 | M10 | M5 | 3 | 19.7 | 14.1 | 13 | 24.4 | 6 | 17.4 | 15 | 7 | 3 | 2.3 | 8 | 6 | 16 | 4.5 | 10 | 20 | 3 | 10 | M10 | 3.5 | 6 | 7 | 78 |
| 17000280004 | 26.5 | 30.5 | 20 | M10 | M5 | 3 | 19.9 | 14.2 | 13 | 24.6 | 6 | 17.4 | 15 | 7 | 3 | 2.3 | 8 | 6 | 16 | 4.5 | 10 | 20 | 3 | 10 | M10 | 3.5 | 6 | 7 | 96 |
| 17000280005 | 30.5 | 38.5 | 25 | M12 | M6 | 4 | 23.2 | 14 | 11.7 | 28.8 | 7 | 21.9 | 20 | 9 | 3 | 4.6 | 10 | 6 | 18 | 4.5 | 17 | 25 | 4 | 12 | M12 | 3.5 | 7 | 9 | 143 |
| 17000280006 | 38.5 | 46.5 | 30 | M12 | M6 | 4 | 27.2 | 18 | 15.5 | 33.1 | 7.5 | 22.5 | 20 | 11 | 6 | 4.6 | 10 | 8 | 18 | 6.5 | 17 | 30 | 4 | 12 | M12 | 4.5 | 7.5 | 11 | 250 |
| 17000280007 | 46.5 | 54.5 | 30 | M12 | M6 | 4 | 27.2 | 18 | 15.7 | 33.1 | 7.5 | 22.5 | 20 | 11 | 6 | 4.6 | 10 | 8 | 18 | 6.5 | 17 | 30 | 4 | 12 | M12 | 6.5 | 7.5 | 11 | 340 |
| 17000280008 | 54.5 | 70.5 | 45 | M14 x 1.5 | M8 | 5 | 40.7 | 23.7 | 19.1 | 50 | 9 | 24.5 | 32 | 15 | 6 | 9.2 | 13 | 10 | 21 | 8 | 43 | 45 | 5 | 14 | M14 x 1.5 | 6.5 | 9 | 15 | 680 |
| 17000280009 | 70.5 | 86.5 | 60 | M16 x 1.5 | M8 | 5 | 46 | 28.1 | 23.5 | 55.3 | 10 | 29.4 | 20 | 17 | 6 | 9.2 | 13 | 12 | 24 | 10 | 43 | 60 | 5 | 16 | M16 x 1.5 | 6.5 | 10 | 17 | 1300 |
| 17000280010 | 86.5 | 102.5 | 60 | M16 x 1.5 | M10 | 5 | 51.1 | 30.1 | 25.5 | 61.5 | 10 | 29.4 | 25 | 25 | 6 | 9.2 | 16 | 12 | 24 | 12.5 | 79 | 60 | 5 | 16 | M16 x 1.5 | 6.5 | 10 | 25 | 2060 |



| | | | |
|--------------------|---------------|----------------------|---|
| SToxx parts | | tolerance DIN2768-mk | |
| ...der Normteile | | | |
| Gezeichnet | Datum | Name | Zentrierspannelemente, mit Spannsegmenten, Bedienung von unten |
| Kontrolliert | 20.05.2020 | Philipp Joos | |
| Norm | 20.05.2020 | | |
| Erstfreigabe | | 21.05.2020 | PJ |
| Rev. | Änderungstext | Änderungsdatum | Änderungsstamm |
| 17000280000 | | 1 | |
| weight N/A | | scale 1:1 | |