

6 5 4 3 2 1

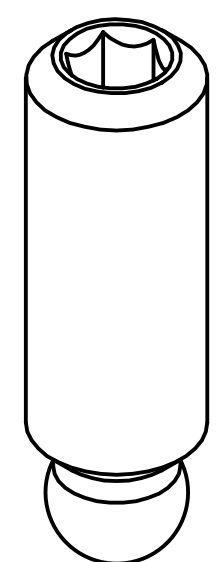
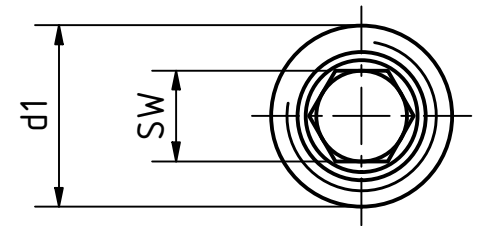
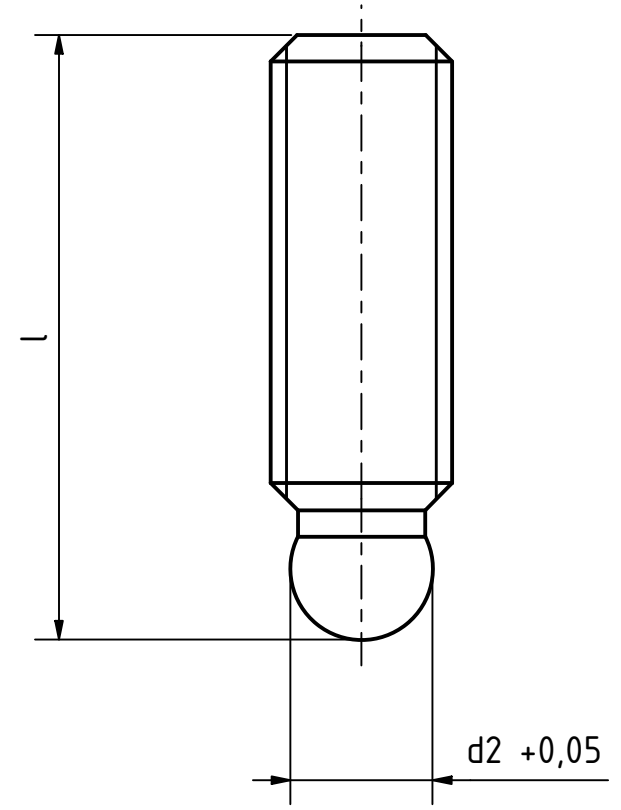
D

C

B

A

| Artikel-Nr. SToxxparts | d1 mm | l mm | d2 mm | SW mm |
|---------------------------|----------|---------|----------|----------|
| 01000342001 | M10 | 40 | 7.8 | 5 |
| 01000342002 | M10 | 50 | 7.8 | 5 |
| 01000342003 | M10 | 63 | 7.8 | 5 |
| 01000342004 | M10 | 80 | 7.8 | 5 |
| 01000342005 | M12 | 100 | 9.4 | 6 |
| 01000342006 | M12 | 40 | 9.4 | 6 |
| 01000342007 | M12 | 63 | 9.4 | 6 |
| 01000342008 | M12 | 80 | 9.4 | 6 |
| 01000342009 | M6 | 30 | 4.5 | 3 |
| 01000342010 | M6 | 40 | 4.5 | 3 |
| 01000342011 | M6 | 50 | 4.5 | 3 |
| 01000342012 | M8 | 25 | 6.1 | 4 |
| 01000342013 | M8 | 40 | 6.1 | 4 |
| 01000342014 | M8 | 50 | 6.1 | 4 |
| 01000342015 | M8 | 63 | 6.1 | 4 |



| | | | | | | |
|--------------------|---------------|----------------|----------------|------------------------------|------------|---------------|
| SToxx parts | | | | tolerance DIN2768-mk | | |
| ...der Normteiler | | | | | | |
| | | Datum | Name | Gewindestift mit Kugelzapfen | | |
| | | Gezeichnet | 23.10.2020 | | | Dennis Bruder |
| | | Kontroll | | | | |
| | | Norm | | | | |
| REVISIONSVERLAUF | | | | 01000342000 | | |
| Rev. | Änderungstext | Änderungsdatum | Änderungsstamm | Gen. | 1 | |
| | | | | | A3 | |
| | | | | Status | Änderungen | |
| | | | | Datum | Name | |
| | | | | weight - | | |
| | | | | scale 2:1 | | |

6 5 4 3 2 1