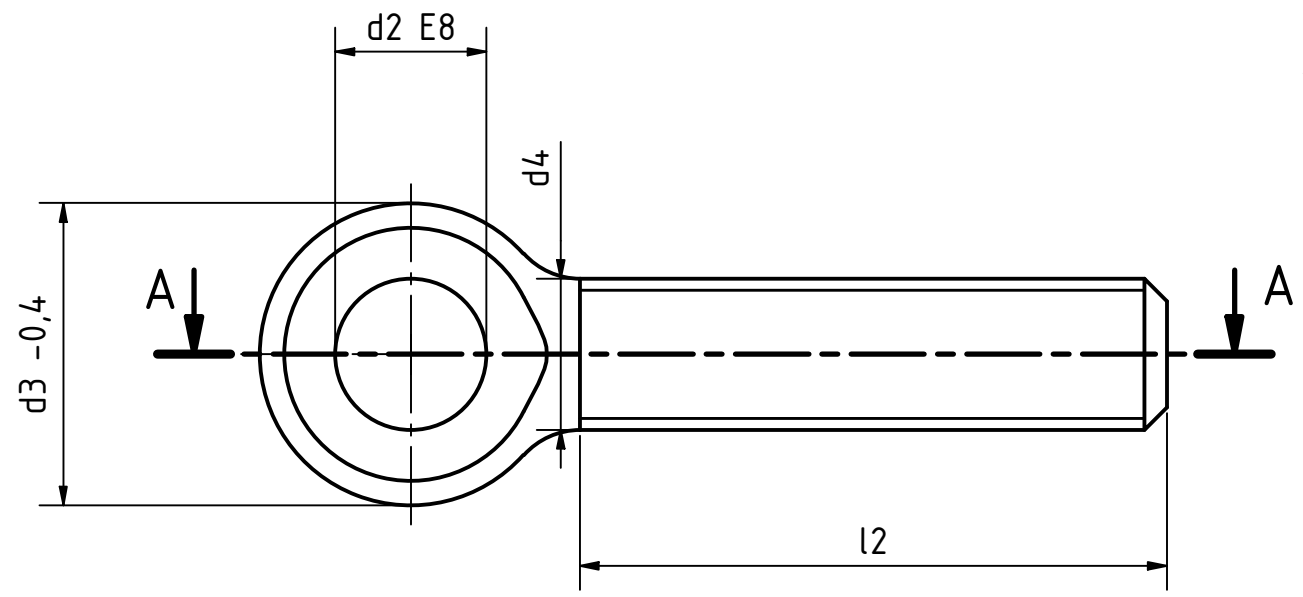
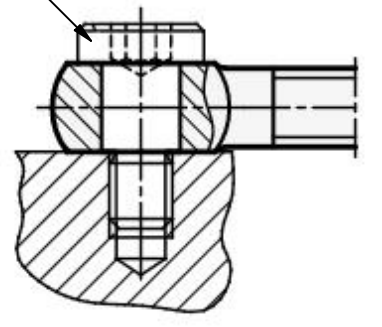


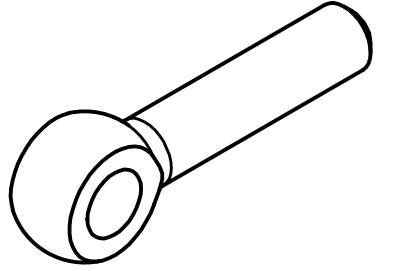
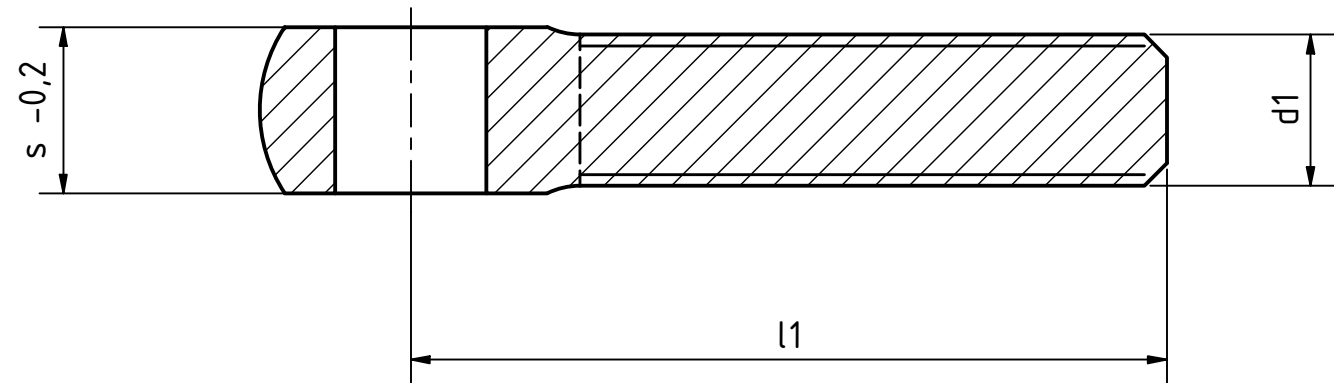
| Artikel-Nr. SToxxparts | d1 mm | l1 mm | l2 mm | d2 mm | d3 mm | s mm | d4 mm |
|---------------------------|----------|----------|----------|----------|----------|---------|----------|
| 01000320001 | M10 | 100 | 50 | 10 | 20 | 12 | 10 |
| 01000320002 | M10 | 120 | 50 | 10 | 20 | 12 | 10 |
| 01000320003 | M10 | 50 | 38 | 10 | 20 | 12 | 10 |
| 01000320004 | M10 | 60 | 46 | 10 | 20 | 12 | 10 |
| 01000320005 | M10 | 70 | 50 | 10 | 20 | 12 | 10 |
| 01000320006 | M10 | 80 | 50 | 10 | 20 | 12 | 10 |
| 01000320007 | M12 | 100 | 60 | 12 | 25 | 14 | 12 |
| 01000320008 | M12 | 120 | 60 | 12 | 25 | 14 | 12 |
| 01000320009 | M12 | 130 | 60 | 12 | 25 | 14 | 12 |
| 01000320010 | M12 | 50 | 35 | 12 | 25 | 14 | 12 |
| 01000320011 | M12 | 60 | 42 | 12 | 25 | 14 | 12 |
| 01000320012 | M12 | 70 | 52 | 12 | 25 | 14 | 12 |
| 01000320013 | M12 | 80 | 60 | 12 | 25 | 14 | 12 |
| 01000320014 | M16 | 100 | 77 | 16 | 32 | 18 | 16 |
| 01000320015 | M16 | 120 | 80 | 16 | 32 | 18 | 16 |
| 01000320016 | M16 | 140 | 80 | 16 | 32 | 18 | 16 |
| 01000320017 | M16 | 160 | 80 | 16 | 32 | 18 | 16 |
| 01000320018 | M16 | 70 | 49 | 16 | 32 | 18 | 16 |
| 01000320019 | M16 | 80 | 59 | 16 | 32 | 18 | 16 |
| 01000320020 | M20 | 100 | 75 | 20 | 40 | 22 | 20 |
| 01000320021 | M20 | 120 | 95 | 20 | 40 | 22 | 20 |
| 01000320022 | M20 | 140 | 100 | 20 | 40 | 22 | 20 |
| 01000320023 | M20 | 160 | 100 | 20 | 40 | 22 | 20 |
| 01000320024 | M24 | 160 | 120 | 25 | 50 | 28 | 24 |
| 01000320025 | M24 | 240 | 120 | 25 | 50 | 28 | 24 |
| 01000320026 | M6 | 50 | 40 | 6 | 12 | 8 | 6 |
| 01000320027 | M6 | 60 | 40 | 6 | 12 | 8 | 6 |
| 01000320028 | M6 | 70 | 40 | 6 | 12 | 8 | 6 |
| 01000320029 | M6 | 80 | 40 | 6 | 12 | 8 | 6 |
| 01000320030 | M8 | 100 | 45 | 8 | 16 | 10 | 8 |
| 01000320031 | M8 | 50 | 40 | 8 | 16 | 10 | 8 |
| 01000320032 | M8 | 60 | 45 | 8 | 16 | 10 | 8 |
| 01000320033 | M8 | 70 | 45 | 8 | 16 | 10 | 8 |
| 01000320034 | M8 | 80 | 45 | 8 | 16 | 10 | 8 |



Bundschraube 01000337000
als Lagerbolzen



A-A



| Rev. | Änderungstext | Änderungsdatum | Änderungsstamm | Gen. |
|------|---------------|----------------|----------------|------|
| | Erstfreigabe | | | PJ |

REVISIONSVERLAUF

| | | | | | |
|--------------------|------------|---------------|------|----------------------------------|-----------|
| SToxx parts | | | | tolerance DIN2768-mk | |
| ...der Normteile | | | | | |
| | Datum | Name | | Augenschraube mit langem Gewinde | |
| Gezeichnet | 14.10.2020 | Dennis Bruder | | | |
| Kontroll | | | | | |
| Norm | | | | | |
| | | | | 01000320000 | |
| | | | | 1 | |
| | | | | A3 | |
| Status | Änderungen | Datum | Name | weight - | scale 1:1 |