



Telescopic slides
for transport systems
and load carriers.

SCHOCK
M E T A L L

STOXXparts®
...der Normteiler



1. Load carrier for window seals
2. Transport system with free-swinging containers
3. Schock heavy-duty full extension slide ITS 048
4. Transport system for car glass roof

Telescopic slides for use in load carriers.

For just-in-time and just-in-sequence deliveries of parts and assemblies, customised transport systems for manual or automatic removal have proven their worth.

The robust telescopic slides from Schock Metall form the basis for stable and durable load carrier drawers. They help to ensure that the logistical processes of parts supply function reliably. An essential factor is safety for the transported goods and the operating personnel, both during use on site and during transport.

Typical operating conditions:

- Width of the load carrier drawers > 1 metre
- Manual or automated operation
- High movement speeds
- Partially free-swinging product containers
- High demands on stability, load capacity and safety

Schock range of services:

- Full extension slide models ITS 037, 038, 048, 070
- Load capacity up to 150 kg per pair
- Slide lengths up to 1200 mm
- High stability and minimised deflection
- Integrated hold-in detent (force approx. 20 N)



Full extension ITS 048



Load capacity
up to 150 kg

Full extension ITS 070



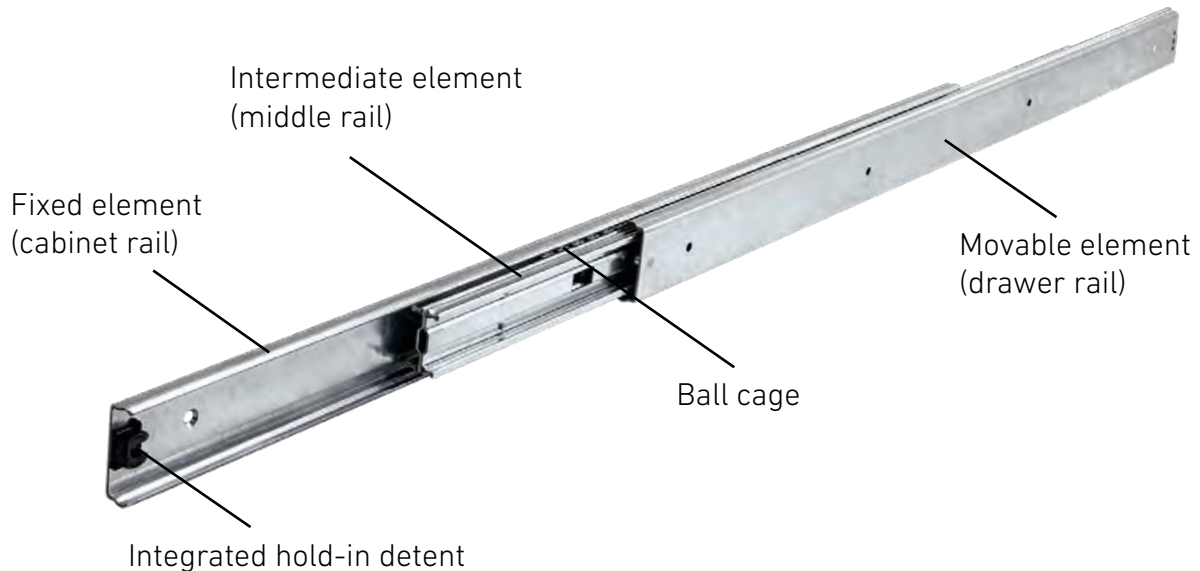
Load capacity
up to 130 kg

Full extension ITS 037 or ITS 038



Load capacity
up to 80 kg

Product description and technical data.



The telescopic slide models opposite are particularly suitable for the requirements in the load carrier sector. They are characterised by a compact design as well as high stability and load capacity.

ITS 048

The special design of this heavy-duty slide ensures particularly high lateral stability. Therefore, this slide model is an ideal solution for very wide load carrier drawers.

ITS 070

This heavy-duty slide is characterised by a particularly slim design and space-saving installation. It thus represents an economical alternative for medium-width load carrier drawers.

ITS 037 or ITS 038

These telescopic slide models are available with full extension or over-extension. They complete the range for shorter and lighter load carrier drawers. The over-extension offers additional operating comfort by providing convenient access to the entire storage space.

Performance characteristics:

The specified load capacities are maximum values for a vertically mounted pair of slides with distributed load when using all intended fastening positions. They are based on internal standard tests and must be proven under the intended effective conditions of use.

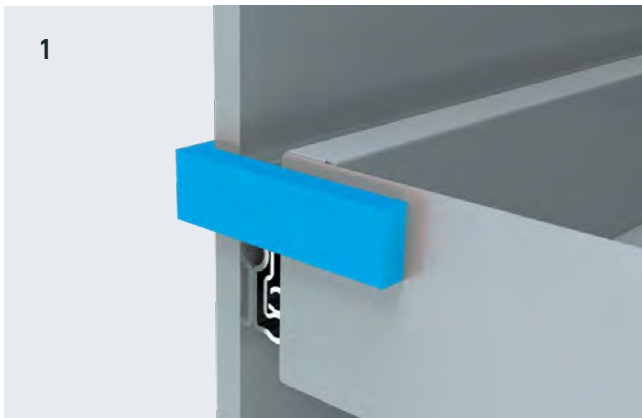
The internal stopper systems are provided to stop the unloaded slide profiles and the ball cages in open and closed end positions. Due to the extreme operating conditions in transport systems and load carriers, additional external stops are required to ensure safe operation.

The integrated hold-in detent is provided as a roll-back protection to keep the unloaded drawer in closed position with a detent force of approx. 20 Newton. An additional external locking device must be provided for secure fixing during transport.

Transport security and operational safety.

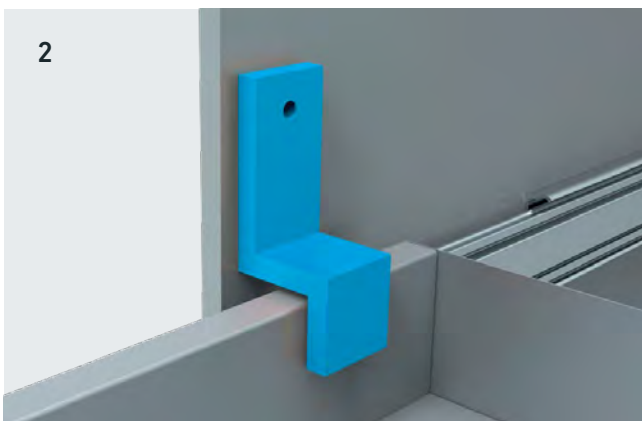
Due to the extreme operating conditions, additional external stopper and locking systems are required in transport systems and load carriers to ensure safe operation.

- Safety for the stored goods
- Safety for the operating personnel
- Safety during transport



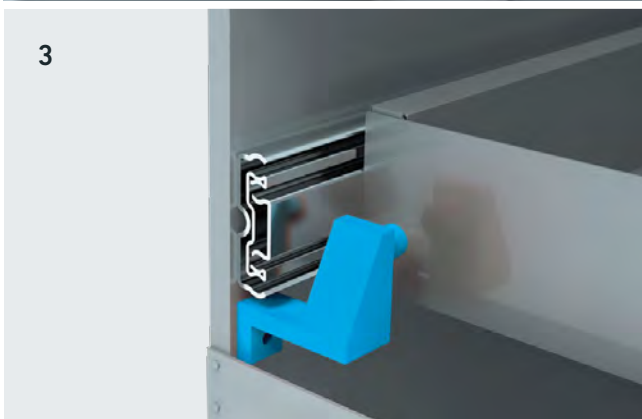
External locking devices

The internal detent systems in the telescopic slides fix the load carrier drawers in the closed end position during normal operation. To prevent the unintentional extension of the load carrier pull-outs during transport, additional external locking systems must be provided by the customer.



External stopper systems

To ensure safe operation and to avoid damage to the internal stops on the telescopic slides, additional external stopper systems in the open and closed end positions of the load carrier pull-outs must be provided by the customer.



1. External locking devices
2. External stopper systems in open end position
3. External stopper systems in closed end position

The online shop for industry and craft.



SToxxparts®

...der Normteile

The company SToxxparts has specialised in the trade of renowned high-quality brand products. Especially in the area of telescopic slides, you will receive competent advice from us. With the quality slides „made by Schock“ you have the security of a company with over 40 years of experience in the development and production of rollformed telescopic slides and sliding systems.

We at SToxxparts see ourselves as a link between the manufacturing process and you as the user.

„No customer ever buys a product. He buys what the product does for him.“

Peter F. Drucker

Expert advice

Customer care and customer satisfaction are the focus of our business. SToxxparts always acts in a solution-oriented way to find the best result for your problems.

Our customer service

consists of expert technicians and engineers who are available every day to answer your technical questions..

Your search in the shop

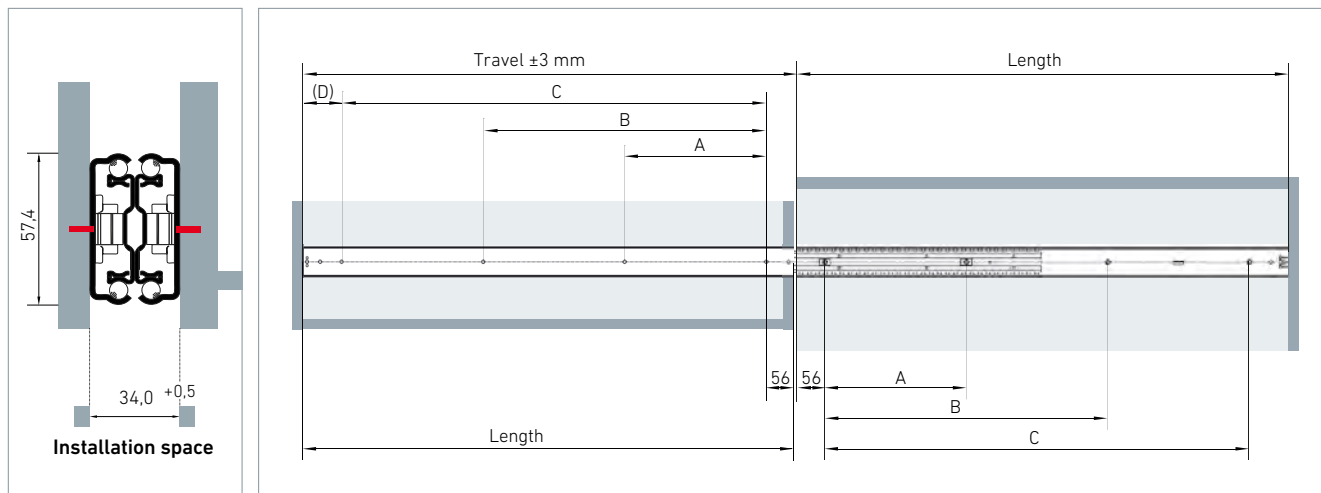
Find your article number in this brochure, page 8-11. Whether you enter the Schock or our Stoxxparts article number, you will always find the right product. Or simply follow the QR code to select your telescopic slides directly in our online shop.



www.stoxxparts.com

Full extension Series 048

Load capacity up to 150 kg per pair



Schock Article No.	SToxxparts Article No.	Length mm	Travel mm	Load capacity kg/pair	A mm	B mm	C mm	(D) mm	Weight kg/pair
048.13111	07000067003	800	800	150	224	448	672	72	7,80
048.11758	07000067001	900	904	140	240	514	788	56	8,32
048.13112	07000067004	1000	1008	130	288	576	864	80	9,20
048.11042	07000067002	1100	1112	125	192	576	960	84	10,16
048.13113	07000067005	1200	1216	120	320	704	1088	56	11,00

Materials and finishes

- Slide rails: hot-dip galvanised steel
- Ball cages: pre-zincd steel
- Balls: hardened carbon steel

Temperature range

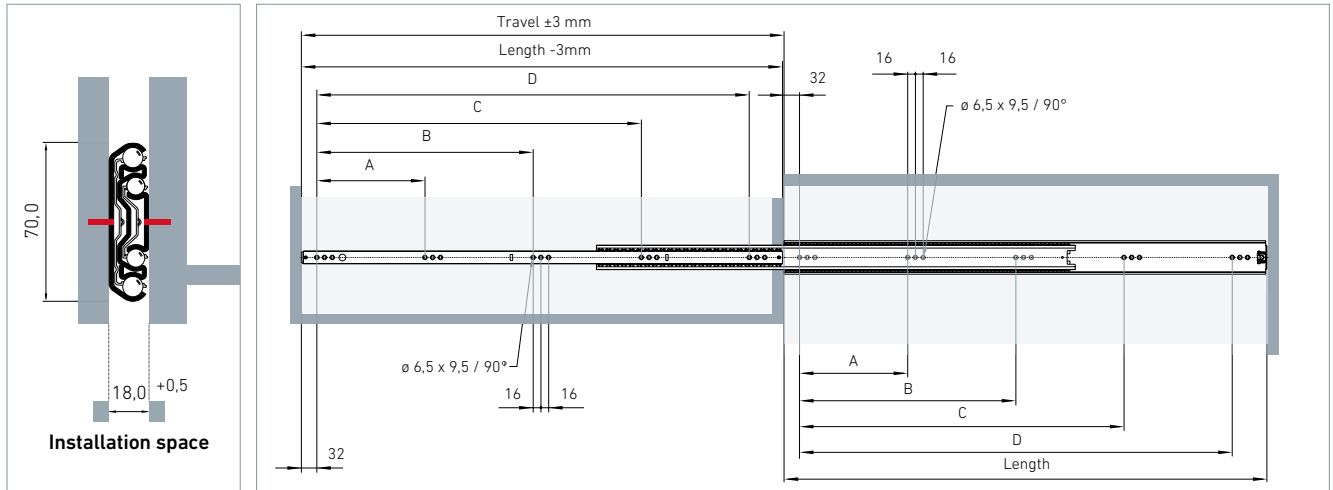
- Working temperature +10°C to +40°C
- Storage and transport temperature -20°C to max. +80°C

To the SToxxparts order page
Full extension Series 048



Full extension Series 070

Load capacity up to 130 kg per pair



Fastening with M5 countersunk screws (head height 2.5 mm) or Euro screws (countersunk head height 1.5 mm)

Schock Article No.	SToxparts Article No.	Length mm	Travel mm	Load capacity kg/pair	A mm	B mm	C mm	D mm	Weight kg/Pair
070.11800	07000068001	400	400	105	-	-	-	288	3,10
070.11801	07000068002	450	450	115	-	-	160	320	3,45
070.11802	07000068003	500	500	130	-	-	192	384	3,83
070.11803	07000068004	550	550	130	-	-	224	448	4,22
070.11804	07000068005	600	600	130	-	-	224	448	4,63
070.11806	07000068006	700	700	130	-	192	384	576	5,40
070.11808	07000068007	800	800	120	-	224	448	672	6,20
070.11814	07000068008	1100	1100	90	244	448	672	896	8,55

Materials and finishes

- Slide rails: zinc electroplated and blue passivated steel
- Ball cages: pre-zinc steel
- Balls: hardened carbon steel

Temperature range

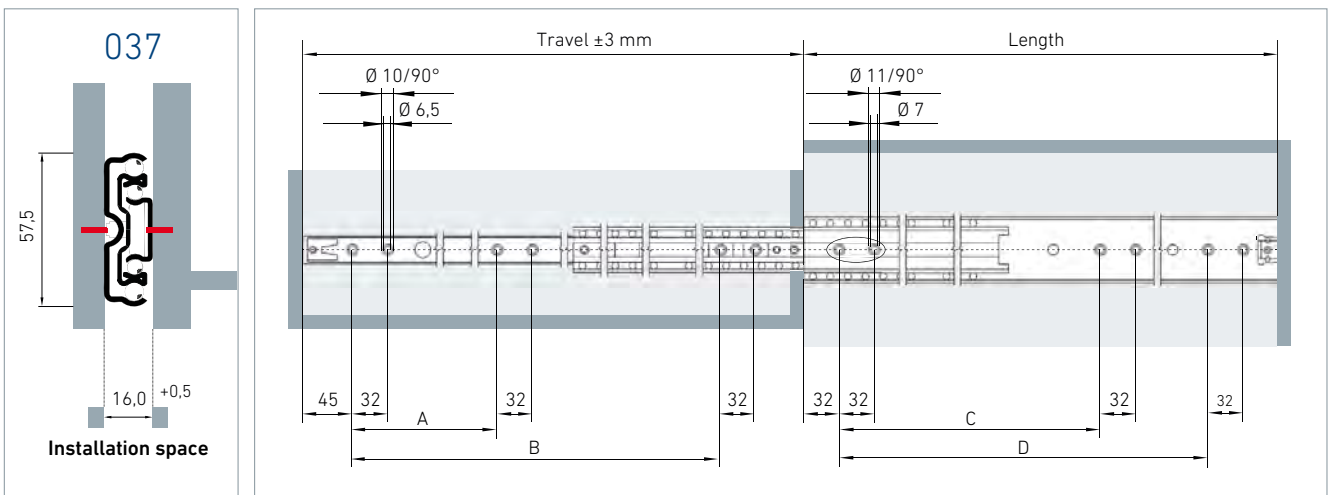
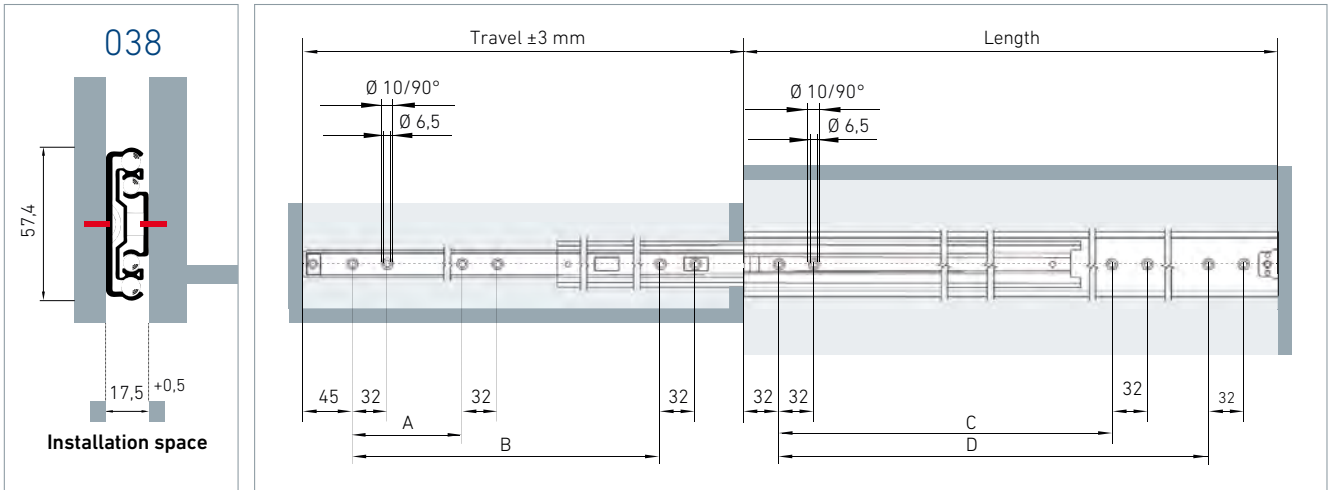
- Working temperature +10°C to +40°C
- Storage and transport temperature -20°C to max. +80°C

To the SToxparts order page
Full extension Series 070



Full extension Series 037/038

Load capacity up to 75 kg per pair



Schock Article No.	SToxxparts Article No.	Length mm	Travel mm	Load capacity kg/pair	A mm	B mm	C mm	D mm	Weight kg/pair
038.11286	07000071001	900	900	75	400	778	604	804	5,28
037.06807	07000064001	1100	1100	70	400	978	604	1004	6,34

Materials and finishes

- Slide rails: hot-dip galvanised steel
- Ball cages: pre-zincd steel
- Balls: hardened carbon steel

Temperature range

- Working temperature +10°C to +40°C
- Storage and transport temperature -20°C to max. +80°C

To the SToxxparts order page
Full extension Serie 038

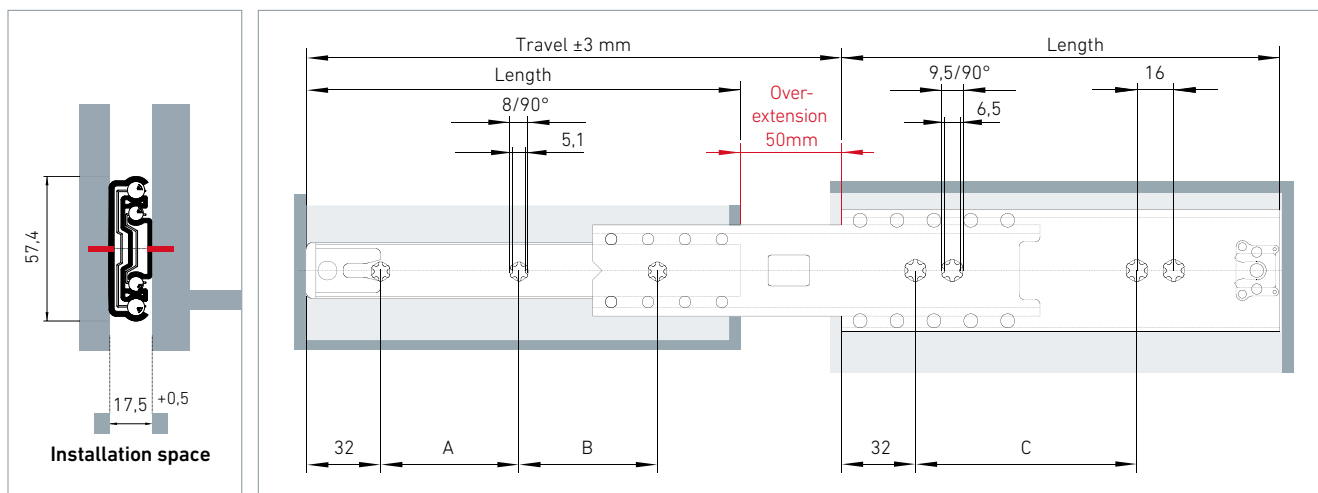



To the SToxxparts order page
Full extension Serie 037



Over-extension Series 038

Load capacity up to 80 kg per pair



Schock Article No.	SToxxparts Article No.	Length mm	Travel mm	Load capacity kg/pair 	A mm	B mm	C mm	Weight kg/pair
038.17870	07000069001	300	350	50	128	104	160	1,67
038.17871	07000069002	350	400	60	128	152	256	1,96
038.17872	07000069003	400	450	65	160	168	256	2,28
038.17873	07000069004	450	500	70	160	224	384	2,57
038.17874	07000069005	500	550	75	224	208	384	2,91
038.17875	07000069006	550	600	75	224	256	384	3,20
038.17876	07000069007	600	650	80	288	240	384	3,45
038.17877	07000069008	650	700	80	288	288	384	3,75
038.17878	07000069009	700	750	80	320	312	384	4,07
038.17879	07000069010	750	800	80	320	360	384	4,36

Materials and finishes

- Slide rails: hot-dip galvanised steel
- Ball cages: pre-zincd steel
- Balls: hardened carbon steel

Temperature range

- Working temperature +10°C to +40°C
- Storage and transport temperature -20°C to max. +80°C

To the SToxxparts order page
Over-extension Series 038





Schock Metallwerk GmbH

Siemensstr. 1-3
73660 Urbach, Germany
Tel. +49 7181 808 - 0
info@schock-metall.de
www.schock-metall.de



SToxxparts GmbH

Hörschweiler Str. 26
72296 Schopfloch, Germany
Tel. +49 7443 96729 - 0
kontakt@stoxxparts.com
www.stoxxparts.com