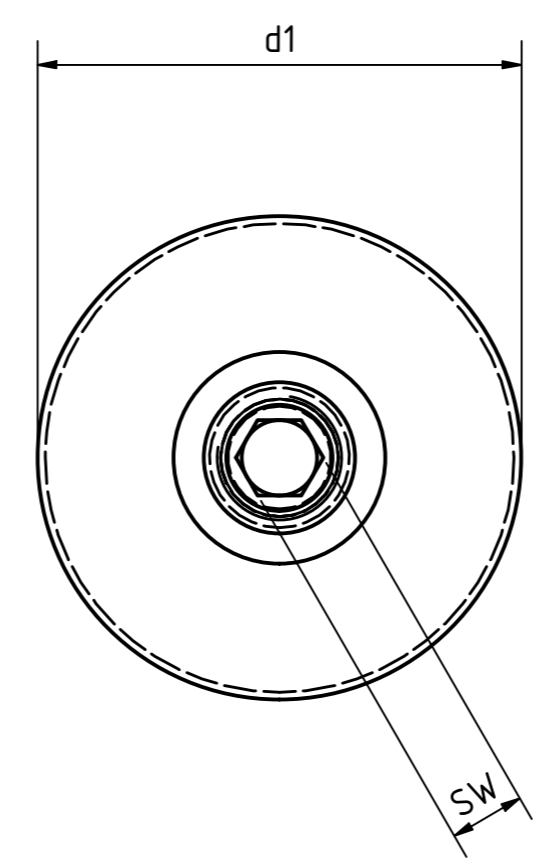
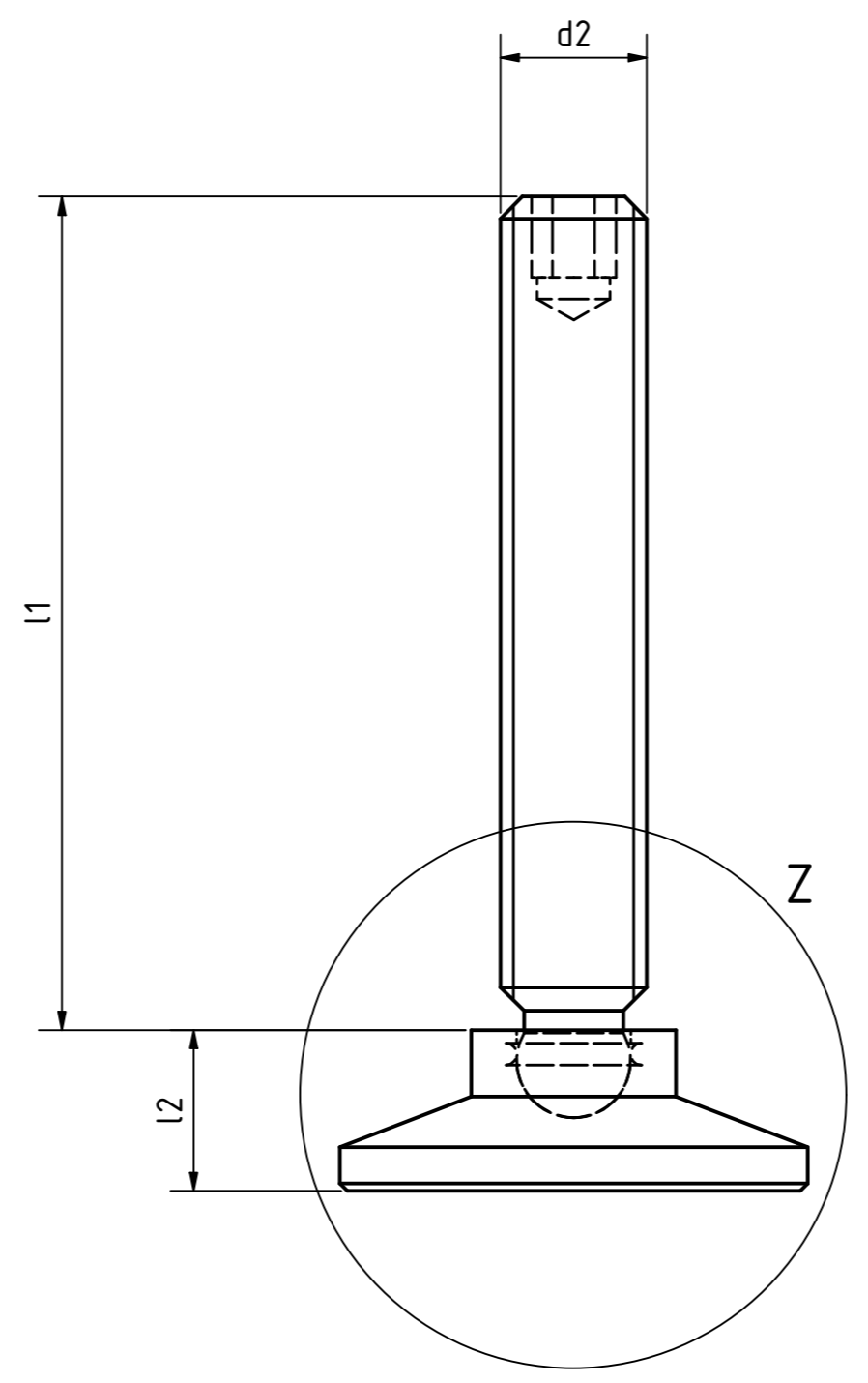
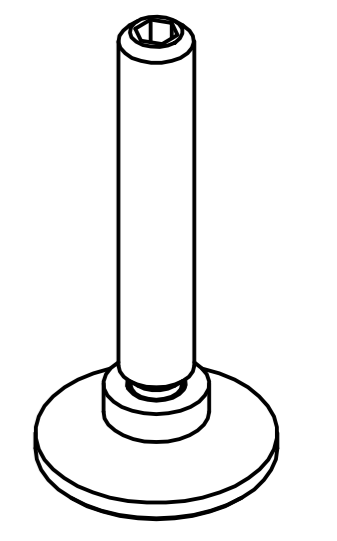
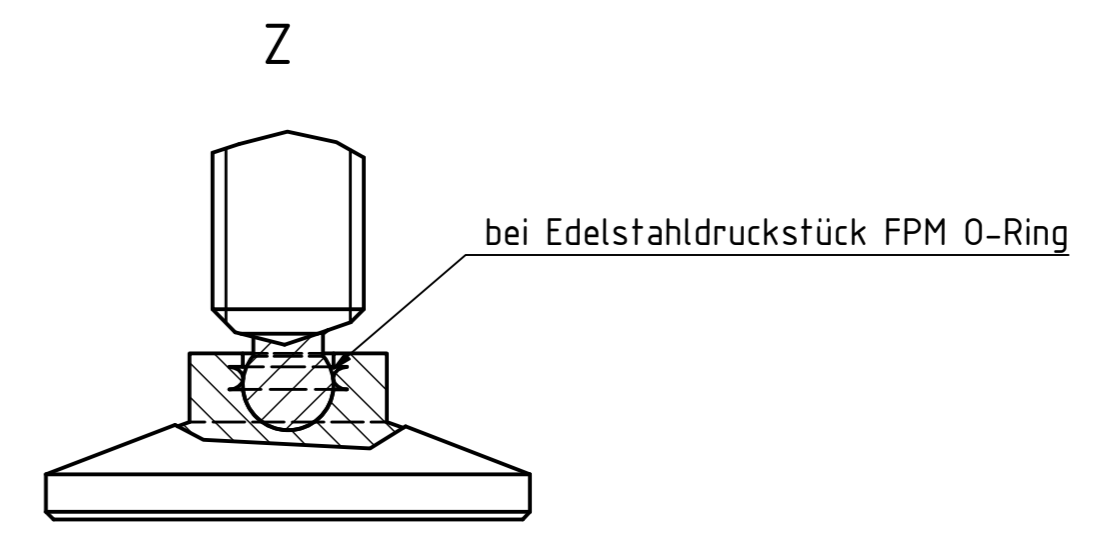
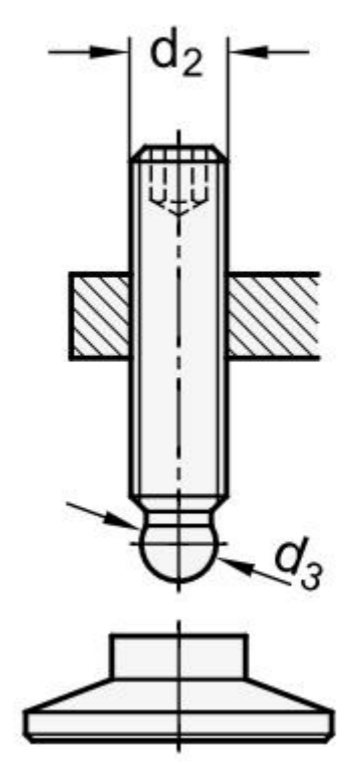


Artikel-Nr. SToxxparts	Werkstoff Druckstück	d1 mm	d2 mm	l1 mm	d3 mm	l2 mm	SW mm	Statische Belastbarkeit in kN
01000277001	POM	15	M6	26	4.5	7.6	3	3.5
01000277002	POM	15	M6	36	4.5	7.6	3	3.5
01000277003	POM	15	M6	46	4.5	7.6	3	3.5
01000277004	POM	15	M8	20	6.1	7.6	4	3.5
01000277005	POM	15	M8	35	6.1	7.6	4	3.5
01000277006	POM	15	M8	45	6.1	7.6	4	3.5
01000277007	POM	15	M8	58	6.1	7.6	4	3.5
01000277008	POM	18	M10	34	7.8	9.2	5	3.5
01000277009	POM	18	M10	44	7.8	9.2	5	3.5
01000277010	POM	18	M10	57	7.8	9.2	5	3.5
01000277011	POM	18	M10	74	7.8	9.2	5	3.5
01000277012	POM	18	M6	26	4.5	9.2	3	3.5
01000277013	POM	18	M6	36	4.5	9.2	3	3.5
01000277014	POM	18	M6	46	4.5	9.2	3	3.5
01000277015	POM	18	M8	20	6.1	9.2	4	3.5
01000277016	POM	18	M8	35	6.1	9.2	4	3.5
01000277017	POM	18	M8	45	6.1	9.2	4	3.5
01000277018	POM	18	M8	58	6.1	9.2	4	3.5
01000277019	POM	21	M10	34	7.8	10	5	3.5
01000277020	POM	21	M10	44	7.8	10	5	3.5
01000277021	POM	21	M10	57	7.8	10	5	3.5
01000277022	POM	21	M10	74	7.8	10	5	3.5
01000277023	POM	21	M12	34	9.4	10	6	3.5
01000277024	POM	21	M12	57	9.4	10	6	3.5
01000277025	POM	21	M12	74	9.4	10	6	3.5
01000277026	POM	21	M12	94	9.4	10	6	3.5
01000277027	POM	21	M6	26	4.5	10	3	3.5
01000277028	POM	21	M6	36	4.5	10	3	3.5
01000277029	POM	21	M6	46	4.5	10	3	3.5
01000277030	POM	21	M8	20	6.1	10	4	3.5
01000277031	POM	21	M8	35	6.1	10	4	3.5
01000277032	POM	21	M8	45	6.1	10	4	3.5
01000277033	POM	21	M8	58	6.1	10	4	3.5
01000277034	POM	25	M10	34	7.8	10.5	5	3.5
01000277035	POM	25	M10	44	7.8	10.5	5	3.5
01000277036	POM	25	M10	57	7.8	10.5	5	3.5
01000277037	POM	25	M10	74	7.8	10.5	5	3.5
01000277038	POM	25	M12	34	9.4	10.5	6	3.5
01000277039	POM	25	M12	57	9.4	10.5	6	3.5
01000277040	POM	25	M12	74	9.4	10.5	6	3.5
01000277041	POM	25	M12	94	9.4	10.5	6	3.5
01000277042	POM	25	M6	26	4.5	10.5	3	3.5
01000277043	POM	25	M6	36	4.5	10.5	3	3.5
01000277044	POM	25	M6	46	4.5	10.5	3	3.5
01000277045	POM	25	M8	20	6.1	10.5	4	3.5
01000277046	POM	25	M8	35	6.1	10.5	4	3.5
01000277047	POM	25	M8	45	6.1	10.5	4	3.5
01000277048	POM	25	M8	58	6.1	10.5	4	3.5
01000277049	POM	32	M10	34	7.8	11	5	3.5
01000277050	POM	32	M10	44	7.8	11	5	3.5
01000277051	POM	32	M10	57	7.8	11	5	3.5
01000277052	POM	32	M10	74	7.8	11	5	3.5



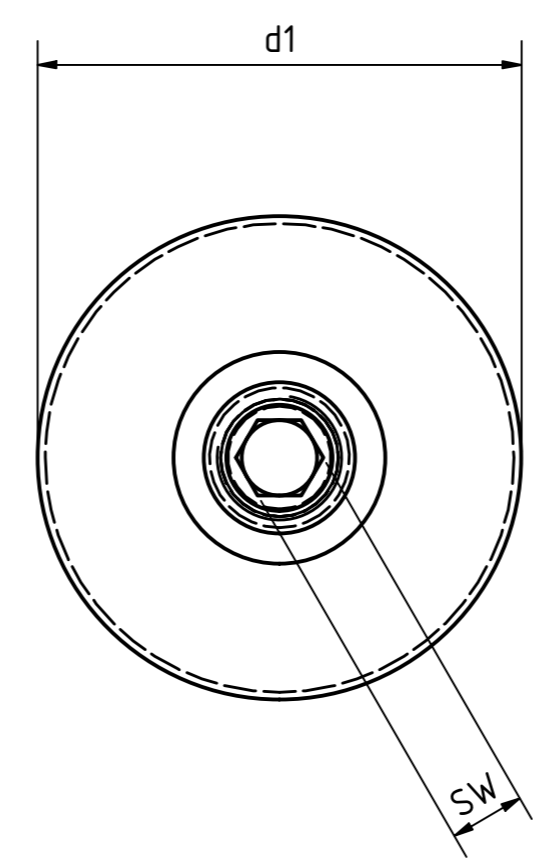
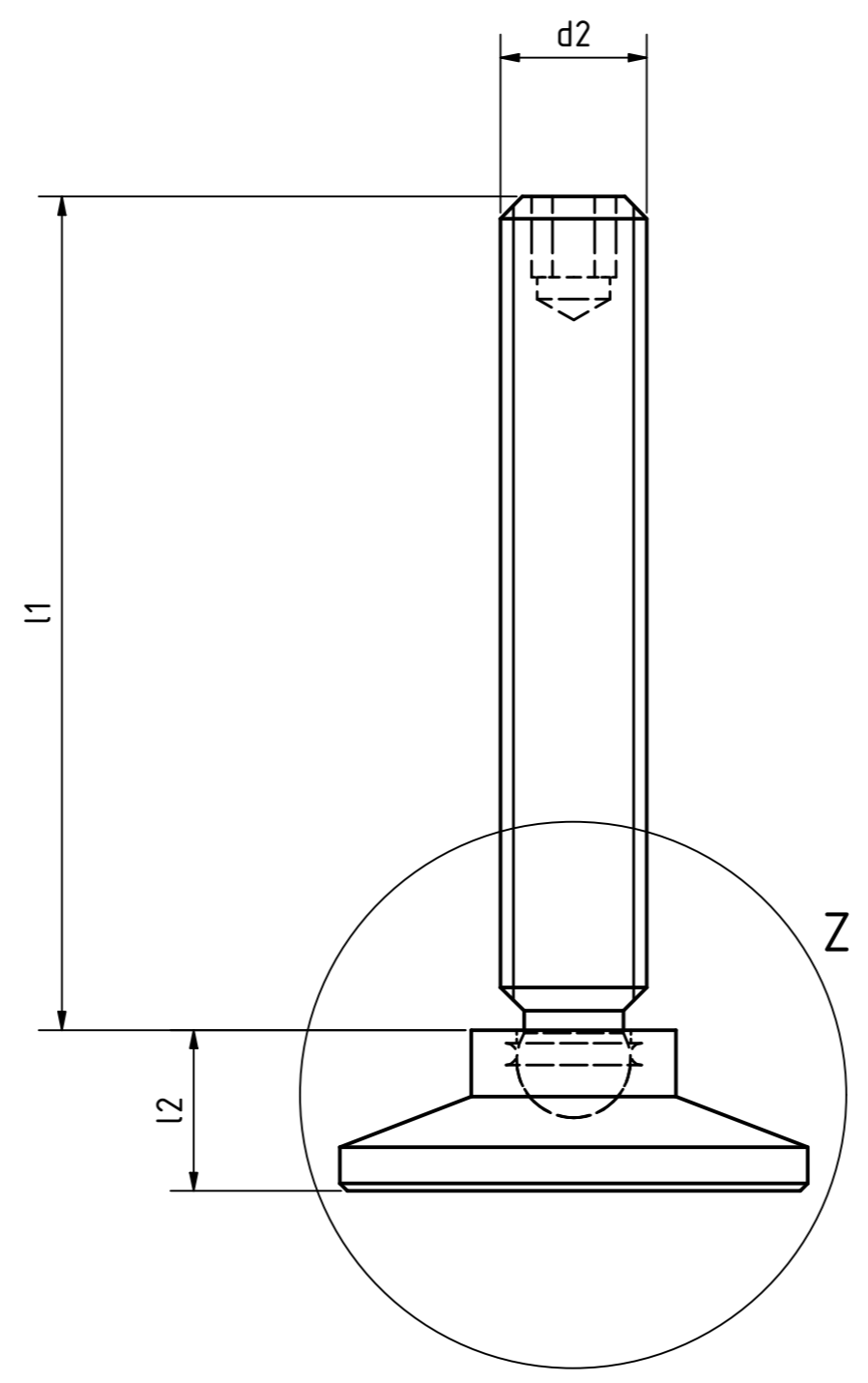
Montagebeispiel



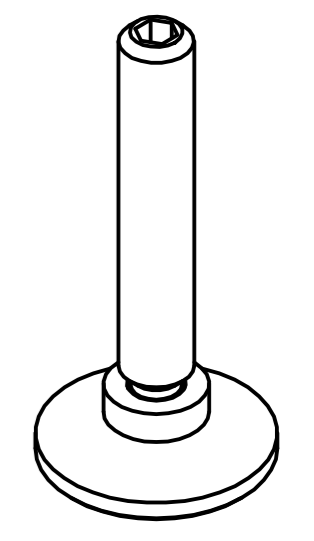
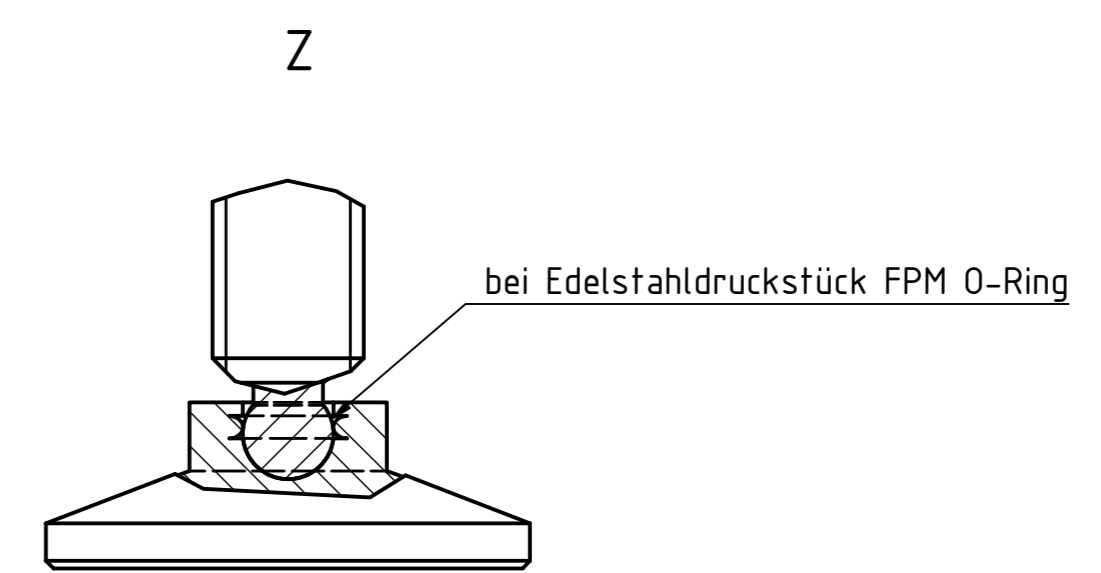
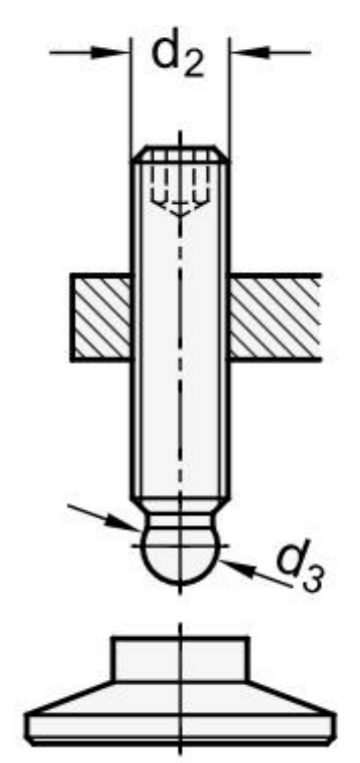
SToxxparts ... der Normteile		tolerance DIN2768-mk	
Gezeichnet	Datum	Name	Gelenkstück, Edelstahl
Kontrolliert	11.09.2020	Dennis Bruder	
Norm			
01000277000		1	
weight -		A2	
Status	Änderungen	Datum	Name

REVISIONSVERLAUF				
Rev.	Änderungstext	Änderungsdatum	Änderungsstamm	Gen.
1	Erstfreigabe			PJ

Artikel-Nr. SToxxparts	Werkstoff Druckstück	d1 mm	d2 mm	l1 mm	d3 mm	l2 mm	SW mm	Statische Belastbarkeit in kN
01000277053	POM	32	M12	34	9.4	11	6	3.5
01000277054	POM	32	M12	57	9.4	11	6	3.5
01000277055	POM	32	M12	74	9.4	11	6	3.5
01000277056	POM	32	M12	94	9.4	11	6	3.5
01000277057	POM	32	M6	26	4.5	11	3	3.5
01000277058	POM	32	M6	36	4.5	11	3	3.5
01000277059	POM	32	M6	46	4.5	11	3	3.5
01000277060	POM	32	M8	20	6.1	11	4	3.5
01000277061	POM	32	M8	35	6.1	11	4	3.5
01000277062	POM	32	M8	45	6.1	11	4	3.5
01000277063	POM	32	M8	58	6.1	11	4	3.5
01000277064	POM	40	M10	34	7.8	13	5	3.5
01000277065	POM	40	M10	44	7.8	13	5	3.5
01000277066	POM	40	M10	57	7.8	13	5	3.5
01000277067	POM	40	M10	74	7.8	13	5	3.5
01000277068	POM	40	M12	34	9.4	13	6	3.5
01000277069	POM	40	M12	57	9.4	13	6	3.5
01000277070	POM	40	M12	74	9.4	13	6	3.5
01000277071	POM	40	M12	94	9.4	13	6	3.5
01000277072	POM	40	M8	20	6.1	13	4	3.5
01000277073	POM	40	M8	35	6.1	13	4	3.5
01000277074	POM	40	M8	45	6.1	13	4	3.5
01000277075	POM	40	M8	58	6.1	13	4	3.5
01000277076	POM	50	M10	34	7.8	15.5	5	3.5
01000277077	POM	50	M10	44	7.8	15.5	5	3.5
01000277078	POM	50	M10	57	7.8	15.5	5	3.5
01000277079	POM	50	M10	74	7.8	15.5	5	3.5
01000277080	POM	50	M12	34	9.4	15.5	6	3.5
01000277081	POM	50	M12	57	9.4	15.5	6	3.5
01000277082	POM	50	M12	74	9.4	15.5	6	3.5
01000277083	POM	50	M12	94	9.4	15.5	6	3.5
01000277084	POM	50	M8	20	6.1	15.5	4	3.5
01000277085	POM	50	M8	35	6.1	15.5	4	3.5
01000277086	POM	50	M8	45	6.1	15.5	4	3.5
01000277087	POM	50	M8	58	6.1	15.5	4	3.5
01000277088	1.4305	21	M10	34	7.8	10	5	11
01000277089	1.4305	21	M10	44	7.8	10	5	11
01000277090	1.4305	21	M10	57	7.8	10	5	11
01000277091	1.4305	21	M10	74	7.8	10	5	11
01000277092	1.4305	21	M12	34	9.4	10	6	16
01000277093	1.4305	21	M12	57	9.4	10	6	16
01000277094	1.4305	21	M12	74	9.4	10	6	16
01000277095	1.4305	21	M12	94	9.4	10	6	16
01000277096	1.4305	21	M6	26	4.5	10	3	3.5
01000277097	1.4305	21	M6	36	4.5	10	3	3.5
01000277098	1.4305	21	M6	46	4.5	10	3	3.5
01000277099	1.4305	21	M8	20	6.1	10	4	7
01000277100	1.4305	21	M8	35	6.1	10	4	7
01000277101	1.4305	21	M8	45	6.1	10	4	7
01000277102	1.4305	21	M8	58	6.1	10	4	7
01000277103	1.4305	25	M10	34	7.8	10.5	5	11
01000277104	1.4305	25	M10	44	7.8	10.5	5	11

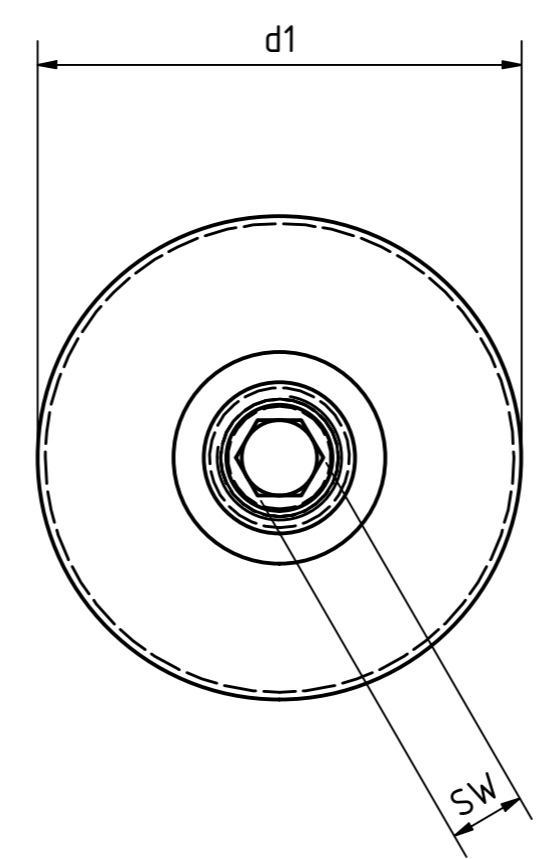
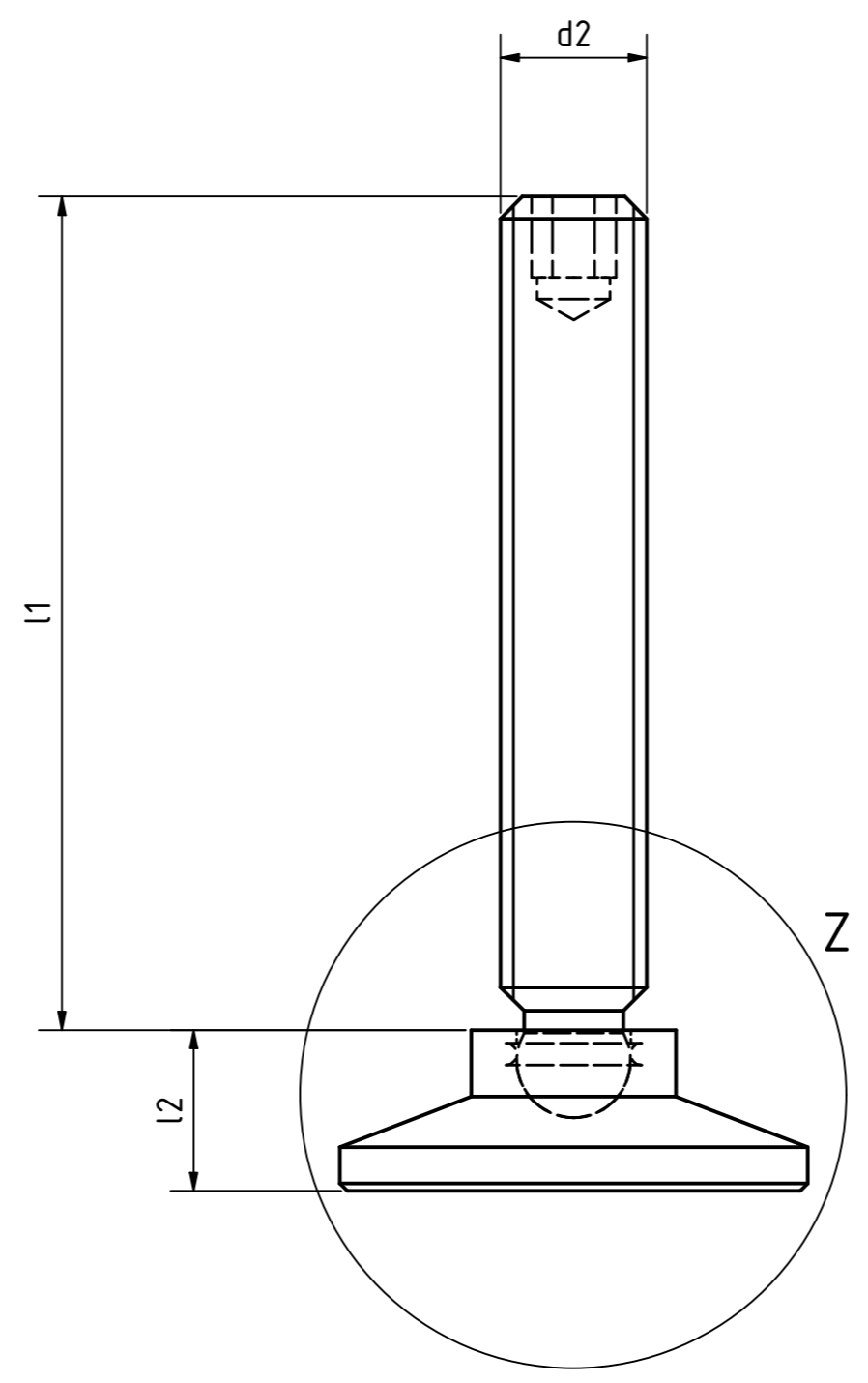


Montagebeispiel

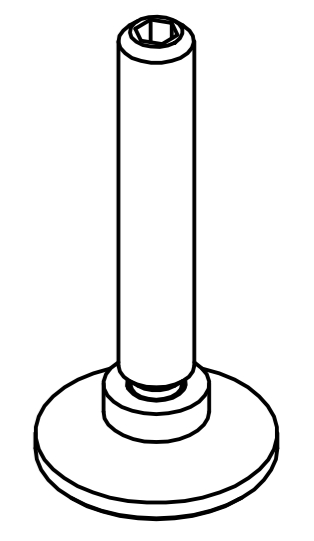
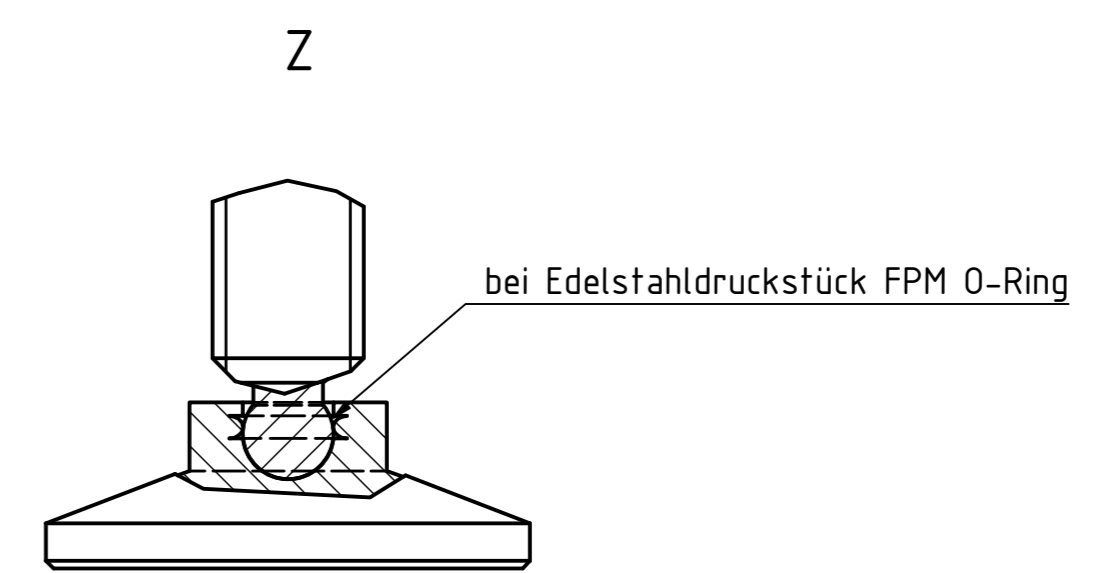
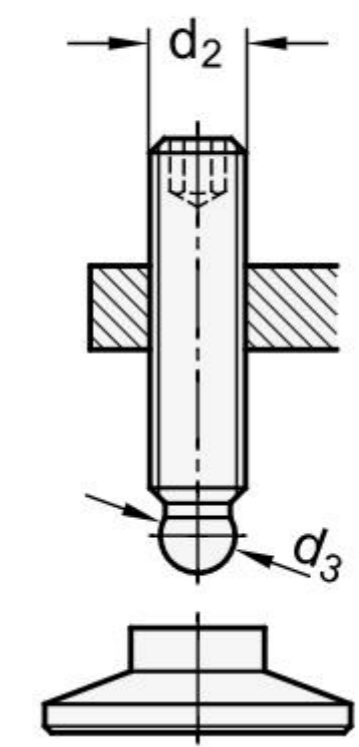


SToxx parts		tolerance DIN2768-mk	
... der Normteile			
Gezeichnet	Datum	Name	Gelenkstück, Edelstahl
Kontrolliert	11.09.2020	Dennis Bruder	
Norm			
		01000277000	
		2	
		A2	
Status	Änderungen	Datum	Name
		weight -	
		scale 2:1	

Artikel-Nr. SToxxparts	Werkstoff Druckstück	d1 mm	d2 mm	l1 mm	d3 mm	l2 mm	SW mm	Statische Belastbarkeit in kN
01000277105	1.4305	25	M10	57	7.8	10.5	5	11
01000277106	1.4305	25	M10	74	7.8	10.5	5	11
01000277107	1.4305	25	M12	34	9.4	10.5	6	16
01000277108	1.4305	25	M12	57	9.4	10.5	6	16
01000277109	1.4305	25	M12	74	9.4	10.5	6	16
01000277110	1.4305	25	M12	94	9.4	10.5	6	16
01000277111	1.4305	25	M6	26	4.5	10.5	3	3.5
01000277112	1.4305	25	M6	36	4.5	10.5	3	3.5
01000277113	1.4305	25	M6	46	4.5	10.5	3	3.5
01000277114	1.4305	25	M8	20	6.1	10.5	4	7
01000277115	1.4305	25	M8	35	6.1	10.5	4	7
01000277116	1.4305	25	M8	45	6.1	10.5	4	7
01000277117	1.4305	25	M8	58	6.1	10.5	4	7
01000277118	1.4305	32	M10	34	7.8	11	5	11
01000277119	1.4305	32	M10	44	7.8	11	5	11
01000277120	1.4305	32	M10	57	7.8	11	5	11
01000277121	1.4305	32	M10	74	7.8	11	5	11
01000277122	1.4305	32	M12	34	9.4	11	6	16
01000277123	1.4305	32	M12	57	9.4	11	6	16
01000277124	1.4305	32	M12	74	9.4	11	6	16
01000277125	1.4305	32	M12	94	9.4	11	6	16
01000277126	1.4305	32	M6	26	4.5	11	3	3.5
01000277127	1.4305	32	M6	36	4.5	11	3	3.5
01000277128	1.4305	32	M6	46	4.5	11	3	3.5
01000277129	1.4305	32	M8	20	6.1	11	4	7
01000277130	1.4305	32	M8	35	6.1	11	4	7
01000277131	1.4305	32	M8	45	6.1	11	4	7
01000277132	1.4305	32	M8	58	6.1	11	4	7
01000277133	1.4305	40	M10	34	7.8	13	5	11
01000277134	1.4305	40	M10	44	7.8	13	5	11
01000277135	1.4305	40	M10	57	7.8	13	5	11
01000277136	1.4305	40	M10	74	7.8	13	5	11
01000277137	1.4305	40	M12	34	9.4	13	6	16
01000277138	1.4305	40	M12	57	9.4	13	6	16
01000277139	1.4305	40	M12	74	9.4	13	6	16
01000277140	1.4305	40	M12	94	9.4	13	6	16
01000277141	1.4305	40	M8	20	6.1	13	4	7
01000277142	1.4305	40	M8	35	6.1	13	4	7
01000277143	1.4305	40	M8	45	6.1	13	4	7
01000277144	1.4305	40	M8	58	6.1	13	4	7
01000277145	1.4305	50	M10	34	7.8	15.5	5	11
01000277146	1.4305	50	M10	44	7.8	15.5	5	11
01000277147	1.4305	50	M10	57	7.8	15.5	5	11
01000277148	1.4305	50	M10	74	7.8	15.5	5	11
01000277149	1.4305	50	M12	34	9.4	15.5	6	16
01000277150	1.4305	50	M12	57	9.4	15.5	6	16
01000277151	1.4305	50	M12	74	9.4	15.5	6	16
01000277152	1.4305	50	M12	94	9.4	15.5	6	16
01000277153	1.4305	50	M8	20	6.1	15.5	4	7
01000277154	1.4305	50	M8	35	6.1	15.5	4	7
01000277155	1.4305	50	M8	45	6.1	15.5	4	7
01000277156	1.4305	50	M8	58	6.1	15.5	4	7



Montagebeispiel



SToxx parts		tolerance DIN2768-mk	
... der Normteile			
Gezeichnet	Datum	Name	
Kontrolliert	11.09.2020	Dennis Bruder	
Norm			
		Gelenkstück, Edelstahl	
		01000277000	
		3	
		A2	
Status	Änderungen	Datum	Name
		weight -	
		scale 2:1	