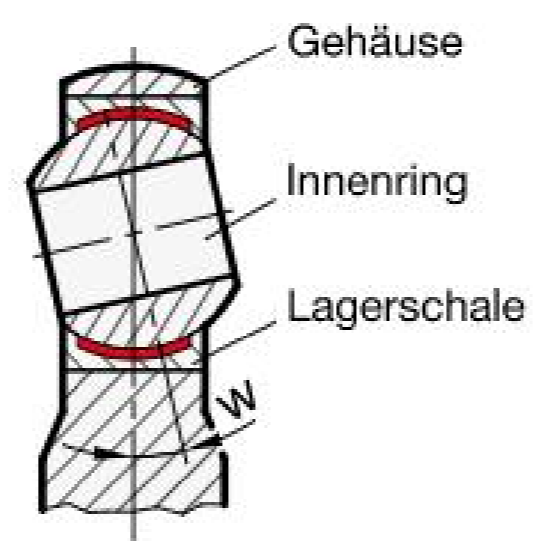
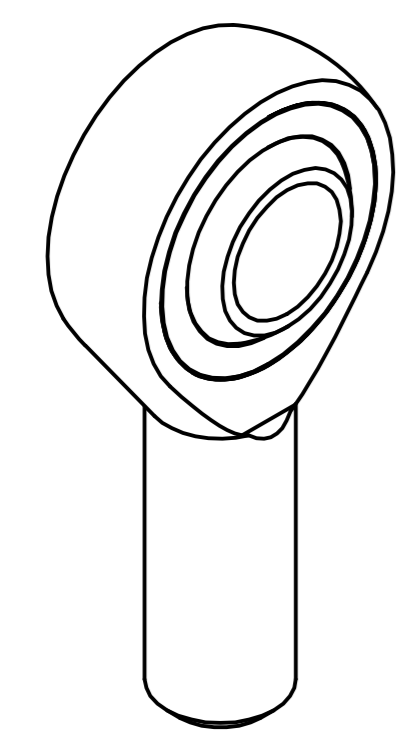
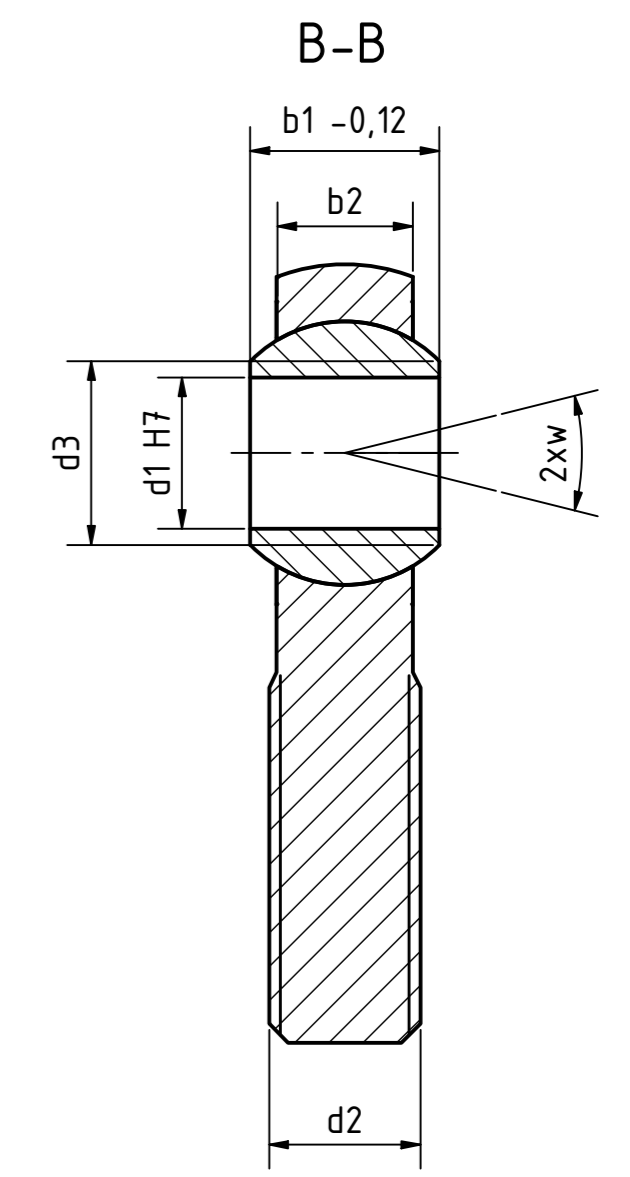
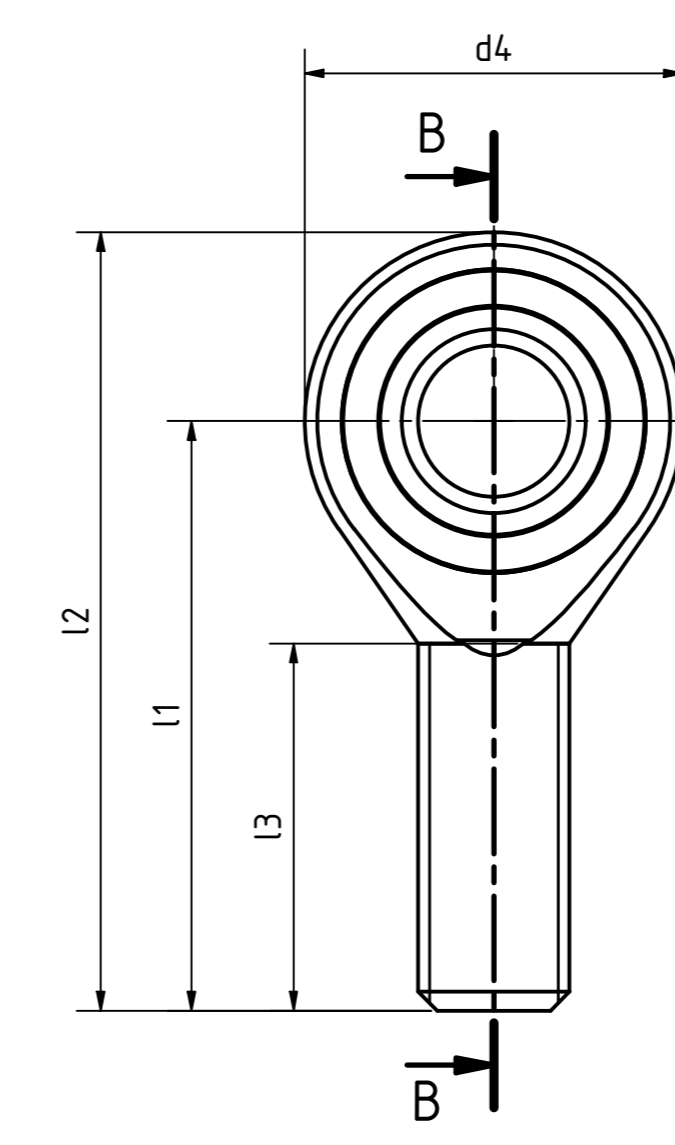
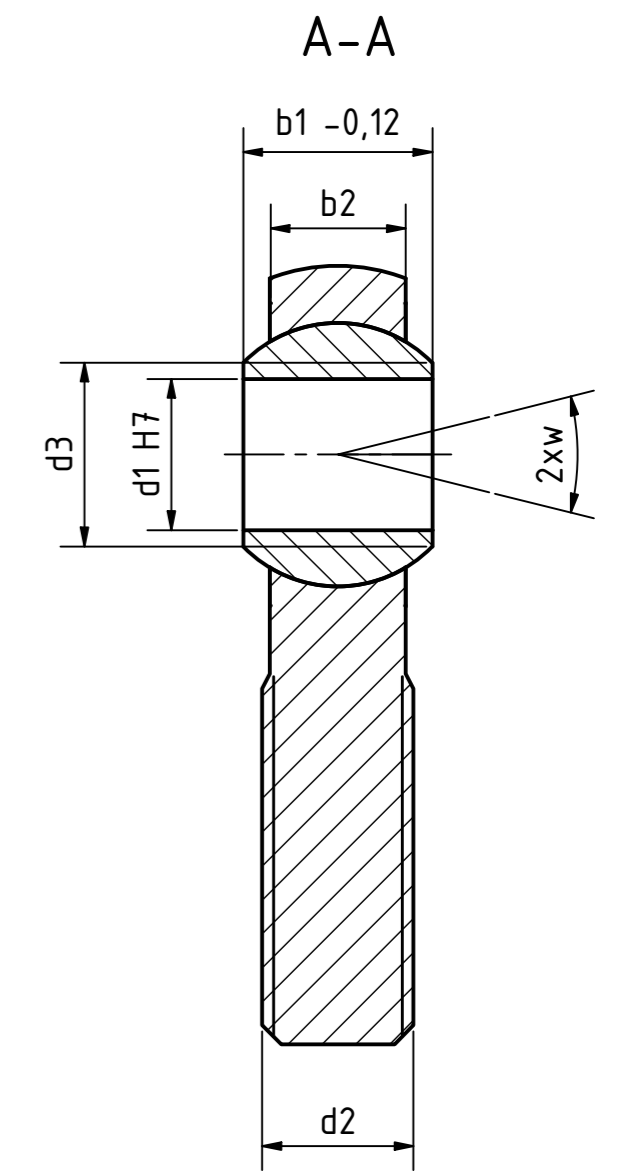
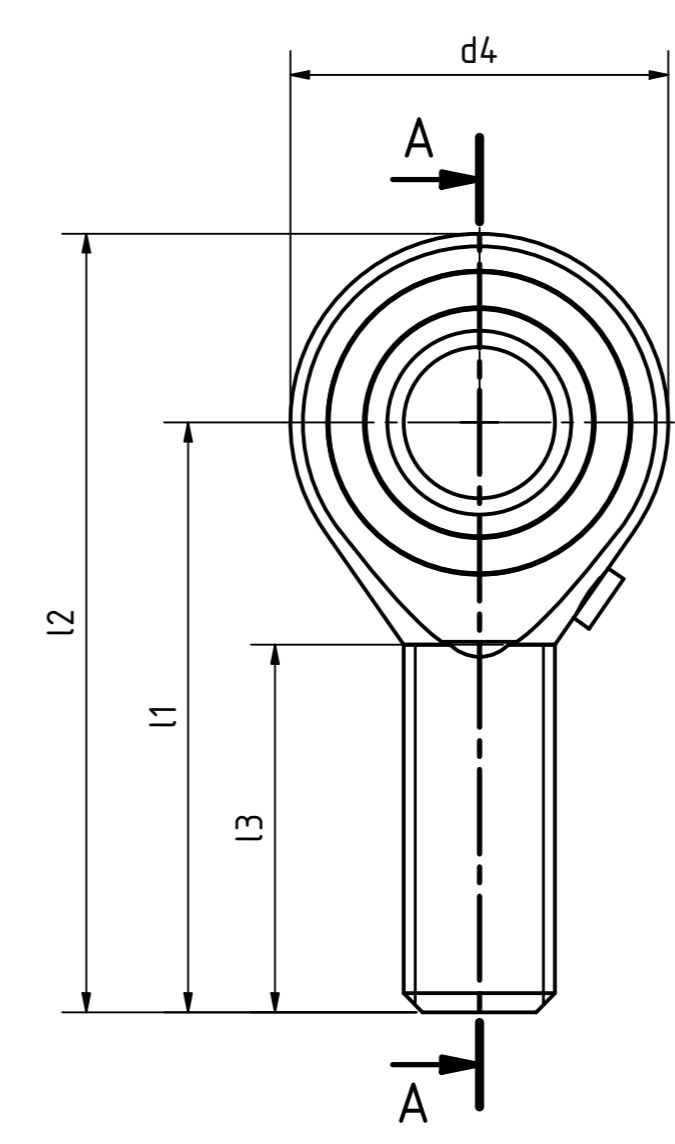
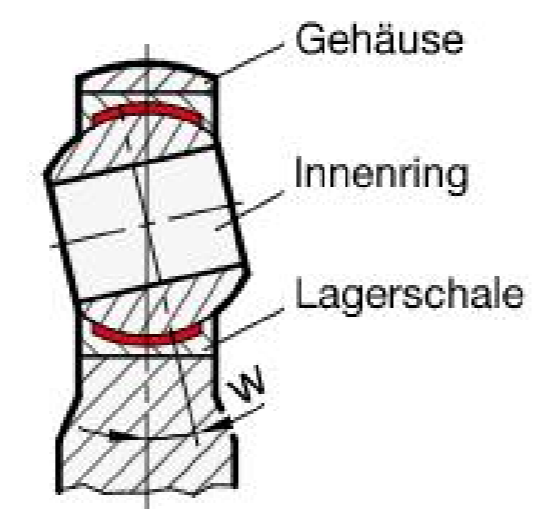
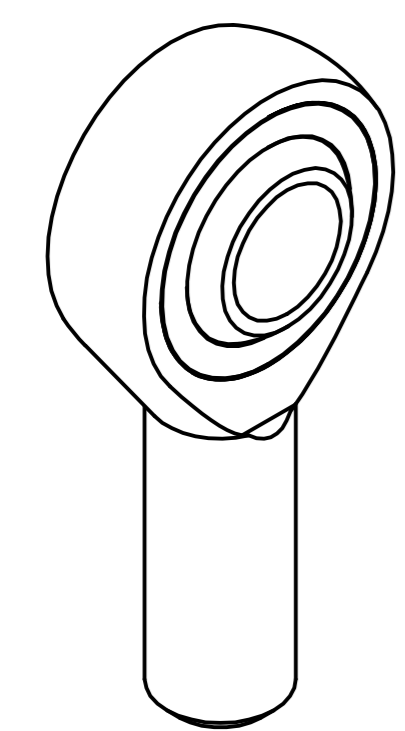
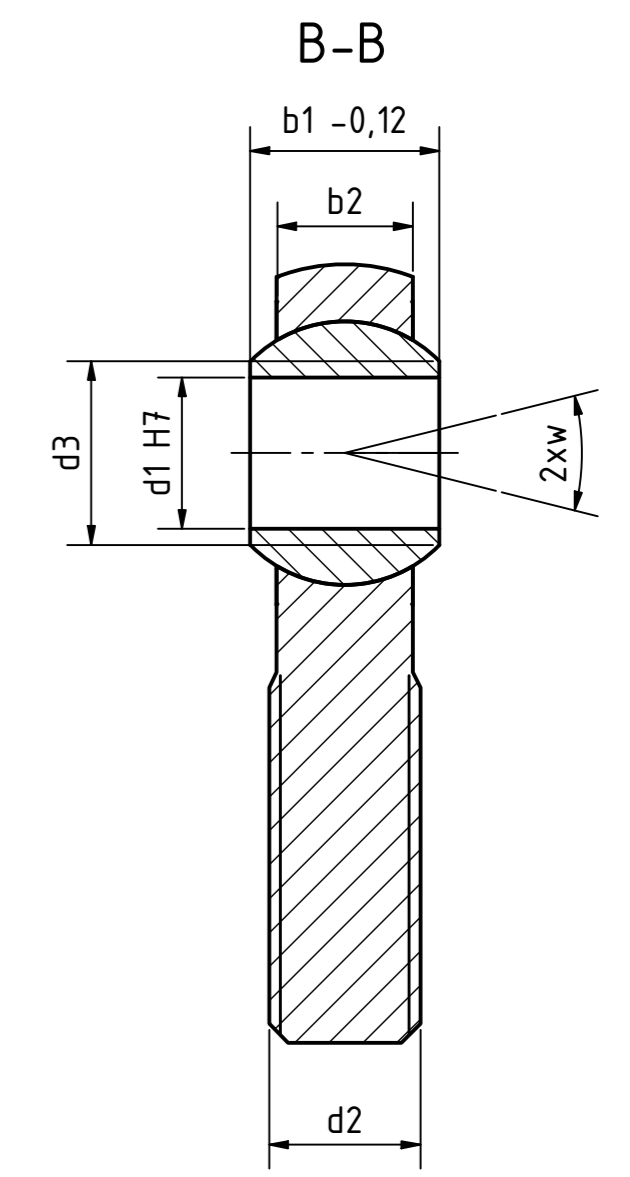
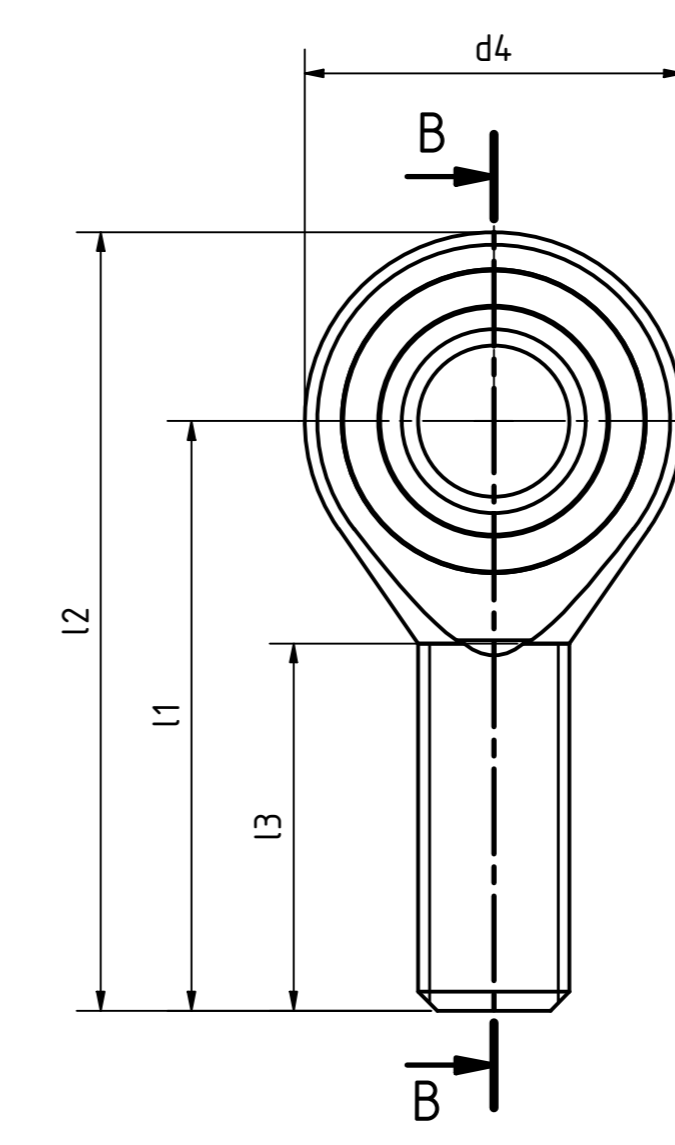
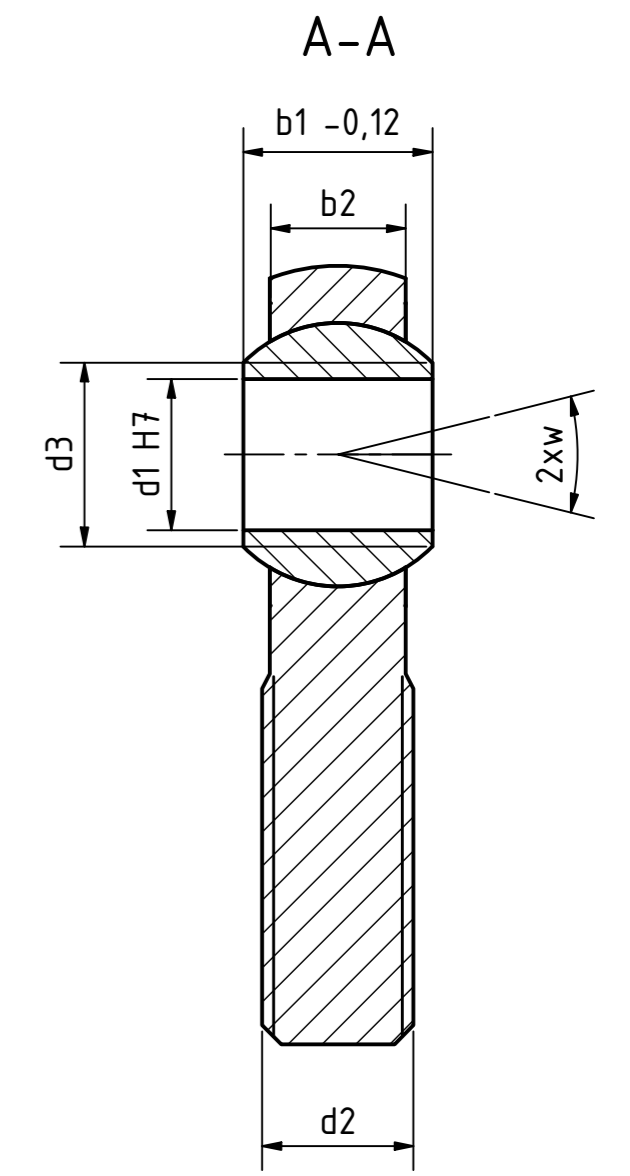
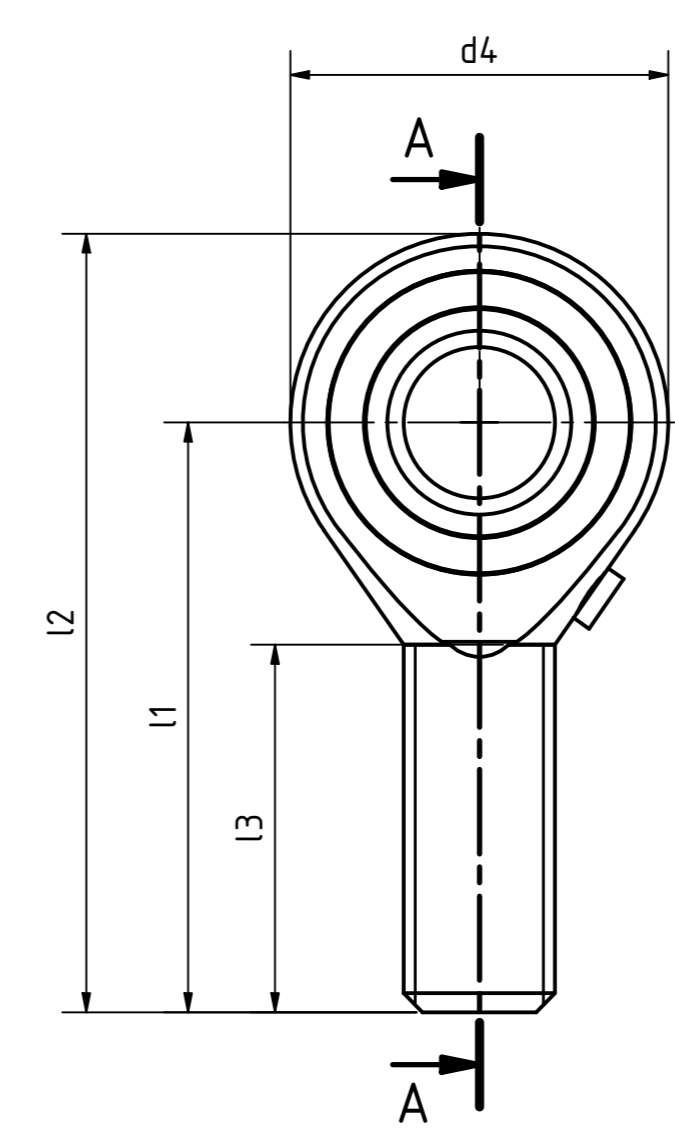


| Artikel-Nr.<br>SToxxparts | Form   | d1<br>mm | d2<br>(L=Linksgewinde)<br>mm | b1<br>mm | b2<br>mm | d3<br>mm | d4<br>mm | l1<br>mm | l2<br>mm | l3<br>mm | w<br>(Kippwinkel)<br>° |
|---------------------------|--|----------|------------------------------|----------|----------|----------|----------|----------|----------|----------|------------------------|
| 01000305001               | WK (Edelstahllagerschale- PTFE-Einlage / Edelstahlinnenring) | 10       | M10L                         | 14       | 10.5     | 12.9     | 28       | 48       | 62       | 29       | 13                     |
| 01000305002               | WK (Edelstahllagerschale- PTFE-Einlage / Edelstahlinnenring) | 10       | M10                          | 14       | 10.5     | 12.9     | 28       | 48       | 62       | 29       | 13                     |
| 01000305003               | WK (Edelstahllagerschale- PTFE-Einlage / Edelstahlinnenring) | 12       | M12L                         | 16       | 12       | 15.4     | 32       | 54       | 70       | 33       | 13                     |
| 01000305004               | WK (Edelstahllagerschale- PTFE-Einlage / Edelstahlinnenring) | 12       | M12                          | 16       | 12       | 15.4     | 32       | 54       | 70       | 33       | 13                     |
| 01000305005               | WK (Edelstahllagerschale- PTFE-Einlage / Edelstahlinnenring) | 14       | M14L                         | 19       | 13.5     | 16.8     | 36       | 60       | 78       | 38       | 16                     |
| 01000305006               | WK (Edelstahllagerschale- PTFE-Einlage / Edelstahlinnenring) | 14       | M14                          | 19       | 13.5     | 16.8     | 36       | 60       | 78       | 38       | 16                     |
| 01000305007               | WK (Edelstahllagerschale- PTFE-Einlage / Edelstahlinnenring) | 16       | M16L                         | 21       | 15       | 19.3     | 42       | 66       | 87       | 40       | 15                     |
| 01000305008               | WK (Edelstahllagerschale- PTFE-Einlage / Edelstahlinnenring) | 16       | M16                          | 21       | 15       | 19.3     | 42       | 66       | 87       | 40       | 15                     |
| 01000305009               | WK (Edelstahllagerschale- PTFE-Einlage / Edelstahlinnenring) | 18       | M18x1.5L                     | 23       | 16.5     | 21.8     | 46       | 72       | 95       | 44       | 15                     |
| 01000305010               | WK (Edelstahllagerschale- PTFE-Einlage / Edelstahlinnenring) | 18       | M18x1.5                      | 23       | 16.5     | 21.8     | 46       | 72       | 95       | 44       | 15                     |
| 01000305011               | WK (Edelstahllagerschale- PTFE-Einlage / Edelstahlinnenring) | 20       | M20x1.5L                     | 25       | 18       | 24.3     | 50       | 78       | 103      | 47       | 14                     |
| 01000305012               | WK (Edelstahllagerschale- PTFE-Einlage / Edelstahlinnenring) | 20       | M20x1.5                      | 25       | 18       | 24.3     | 50       | 78       | 103      | 47       | 14                     |
| 01000305013               | WK (Edelstahllagerschale- PTFE-Einlage / Edelstahlinnenring) | 22       | M22x1.5L                     | 28       | 20       | 25.8     | 54       | 84       | 111      | 51       | 15                     |
| 01000305014               | WK (Edelstahllagerschale- PTFE-Einlage / Edelstahlinnenring) | 22       | M22x1.5                      | 28       | 20       | 25.8     | 54       | 84       | 111      | 51       | 15                     |
| 01000305015               | WK (Edelstahllagerschale- PTFE-Einlage / Edelstahlinnenring) | 25       | M24x2L                       | 31       | 22       | 29.6     | 60       | 94       | 124      | 58       | 15                     |
| 01000305016               | WK (Edelstahllagerschale- PTFE-Einlage / Edelstahlinnenring) | 25       | M24x2                        | 31       | 22       | 29.6     | 60       | 94       | 124      | 58       | 15                     |
| 01000305017               | WK (Edelstahllagerschale- PTFE-Einlage / Edelstahlinnenring) | 30       | M30x2L                       | 37       | 25       | 34.8     | 70       | 110      | 145      | 71       | 17                     |
| 01000305018               | WK (Edelstahllagerschale- PTFE-Einlage / Edelstahlinnenring) | 30       | M30x2                        | 37       | 25       | 34.8     | 70       | 110      | 145      | 71       | 17                     |
| 01000305019               | WK (Edelstahllagerschale- PTFE-Einlage / Edelstahlinnenring) | 5        | M5L                          | 8        | 6        | 7.7      | 18       | 33       | 42       | 20       | 13                     |
| 01000305020               | WK (Edelstahllagerschale- PTFE-Einlage / Edelstahlinnenring) | 5        | M5                           | 8        | 6        | 7.7      | 18       | 33       | 42       | 20       | 13                     |
| 01000305021               | WK (Edelstahllagerschale- PTFE-Einlage / Edelstahlinnenring) | 6        | M6L                          | 9        | 6.75     | 8.9      | 20       | 36       | 46       | 22       | 13                     |
| 01000305022               | WK (Edelstahllagerschale- PTFE-Einlage / Edelstahlinnenring) | 6        | M6                           | 9        | 6.75     | 8.9      | 20       | 36       | 46       | 22       | 13                     |
| 01000305023               | WK (Edelstahllagerschale- PTFE-Einlage / Edelstahlinnenring) | 8        | M8L                          | 12       | 9        | 10.4     | 24       | 42       | 54       | 25       | 14                     |
| 01000305024               | WK (Edelstahllagerschale- PTFE-Einlage / Edelstahlinnenring) | 8        | M8                           | 12       | 9        | 10.4     | 24       | 42       | 54       | 25       | 14                     |
| 01000305025               | WH (Bronzelagerschale- PTFE-Einlage / Stahlinnenring)        | 10       | M10L                         | 14       | 10.5     | 12.9     | 28       | 48       | 62       | 29       | 13                     |
| 01000305026               | WH (Bronzelagerschale- PTFE-Einlage / Stahlinnenring)        | 10       | M10                          | 14       | 10.5     | 12.9     | 28       | 48       | 62       | 29       | 13                     |
| 01000305027               | WH (Bronzelagerschale- PTFE-Einlage / Stahlinnenring)        | 12       | M12L                         | 16       | 12       | 15.4     | 32       | 54       | 70       | 33       | 13                     |
| 01000305028               | WH (Bronzelagerschale- PTFE-Einlage / Stahlinnenring)        | 12       | M12                          | 16       | 12       | 15.4     | 32       | 54       | 70       | 33       | 13                     |
| 01000305029               | WH (Bronzelagerschale- PTFE-Einlage / Stahlinnenring)        | 14       | M14L                         | 19       | 13.5     | 16.8     | 36       | 60       | 78       | 38       | 16                     |
| 01000305030               | WH (Bronzelagerschale- PTFE-Einlage / Stahlinnenring)        | 14       | M14                          | 19       | 13.5     | 16.8     | 36       | 60       | 78       | 38       | 16                     |
| 01000305031               | WH (Bronzelagerschale- PTFE-Einlage / Stahlinnenring)        | 16       | M16L                         | 21       | 15       | 19.3     | 42       | 66       | 87       | 40       | 15                     |
| 01000305032               | WH (Bronzelagerschale- PTFE-Einlage / Stahlinnenring)        | 16       | M16                          | 21       | 15       | 19.3     | 42       | 66       | 87       | 40       | 15                     |
| 01000305033               | WH (Bronzelagerschale- PTFE-Einlage / Stahlinnenring)        | 18       | M18x1.5L                     | 23       | 16.5     | 21.8     | 46       | 72       | 95       | 44       | 15                     |
| 01000305034               | WH (Bronzelagerschale- PTFE-Einlage / Stahlinnenring)        | 18       | M18x1.5                      | 23       | 16.5     | 21.8     | 46       | 72       | 95       | 44       | 15                     |
| 01000305035               | WH (Bronzelagerschale- PTFE-Einlage / Stahlinnenring)        | 20       | M20x1.5L                     | 25       | 18       | 24.3     | 50       | 78       | 103      | 47       | 14                     |
| 01000305036               | WH (Bronzelagerschale- PTFE-Einlage / Stahlinnenring)        | 20       | M20x1.5                      | 25       | 18       | 24.3     | 50       | 78       | 103      | 47       | 14                     |



|                    |               |                                    |                |
|--------------------|---------------|------------------------------------|----------------|
| <b>SToxx</b> parts |               | tolerance DIN2768-mk               |                |
| ...der Normteile   |               |                                    |                |
| Gezeichnet         | 05.10.2020    | Name                               | Dennis Bruder  |
| Kontrolliert       |               | Gelenkkopf mit Schraube, Edelstahl |                |
| Norm               |               |                                    |                |
| REVISION HISTORY   |               | 01000305000                        |                |
| Rev.               | Änderungstext | Änderungsdatum                     | Änderungsstamm |
|                    |               |                                    |                |
|                    |               | 1                                  |                |
|                    |               | A2                                 |                |
| Status             | Änderungen    | Datum                              | Name           |
|                    |               |                                    |                |
|                    |               | weight -                           |                |
|                    |               | scale 1:1                          |                |

| Artikel-Nr.<br>SToxxparts | Form  | d1<br>mm | d2<br>(L=Linksgewinde)<br>mm | b1<br>mm | b2<br>mm | d3<br>mm | d4<br>mm | l1<br>mm | l2<br>mm | l3<br>mm | w<br>(Kippwinkel)<br>° |
|---------------------------|---|----------|------------------------------|----------|----------|----------|----------|----------|----------|----------|------------------------|
| F 01000305037             | WH (Bronzelagerschale- PTFE-Einlage / Stahlinnenring) | 22       | M22x1.5L                     | 28       | 20       | 25.8     | 54       | 84       | 111      | 51       | 15                     |
| 01000305038               | WH (Bronzelagerschale- PTFE-Einlage / Stahlinnenring) | 22       | M22x1.5                      | 28       | 20       | 25.8     | 54       | 84       | 111      | 51       | 15                     |
| 01000305039               | WH (Bronzelagerschale- PTFE-Einlage / Stahlinnenring) | 25       | M24x2L                       | 31       | 22       | 29.6     | 60       | 94       | 124      | 58       | 15                     |
| 01000305040               | WH (Bronzelagerschale- PTFE-Einlage / Stahlinnenring) | 25       | M24x2                        | 31       | 22       | 29.6     | 60       | 94       | 124      | 58       | 15                     |
| 01000305041               | WH (Bronzelagerschale- PTFE-Einlage / Stahlinnenring) | 30       | M30x2L                       | 37       | 25       | 34.8     | 70       | 110      | 145      | 71       | 17                     |
| 01000305042               | WH (Bronzelagerschale- PTFE-Einlage / Stahlinnenring) | 30       | M30x2                        | 37       | 25       | 34.8     | 70       | 110      | 145      | 71       | 17                     |
| 01000305043               | WH (Bronzelagerschale- PTFE-Einlage / Stahlinnenring) | 5        | M5L                          | 8        | 6        | 7.7      | 18       | 33       | 42       | 20       | 13                     |
| 01000305044               | WH (Bronzelagerschale- PTFE-Einlage / Stahlinnenring) | 5        | M5                           | 8        | 6        | 7.7      | 18       | 33       | 42       | 20       | 13                     |
| 01000305045               | WH (Bronzelagerschale- PTFE-Einlage / Stahlinnenring) | 6        | M6L                          | 9        | 6.75     | 8.9      | 20       | 36       | 46       | 22       | 13                     |
| 01000305046               | WH (Bronzelagerschale- PTFE-Einlage / Stahlinnenring) | 6        | M6                           | 9        | 6.75     | 8.9      | 20       | 36       | 46       | 22       | 13                     |
| 01000305047               | WH (Bronzelagerschale- PTFE-Einlage / Stahlinnenring) | 8        | M8L                          | 12       | 9        | 10.4     | 24       | 42       | 54       | 25       | 14                     |
| E 01000305048             | WH (Bronzelagerschale- PTFE-Einlage / Stahlinnenring) | 8        | M8                           | 12       | 9        | 10.4     | 24       | 42       | 54       | 25       | 14                     |
| 01000305049               | NH (Bronzelagerschale / Stahlinnenring)               | 10       | M10L                         | 14       | 10.5     | 12.9     | 28       | 48       | 62       | 29       | 13                     |
| 01000305050               | NH (Bronzelagerschale / Stahlinnenring)               | 10       | M10                          | 14       | 10.5     | 12.9     | 28       | 48       | 62       | 29       | 13                     |
| 01000305051               | NH (Bronzelagerschale / Stahlinnenring)               | 12       | M12L                         | 16       | 12       | 15.4     | 32       | 54       | 70       | 33       | 13                     |
| 01000305052               | NH (Bronzelagerschale / Stahlinnenring)               | 12       | M12                          | 16       | 12       | 15.4     | 32       | 54       | 70       | 33       | 13                     |
| 01000305053               | NH (Bronzelagerschale / Stahlinnenring)               | 14       | M14L                         | 19       | 13.5     | 16.8     | 36       | 60       | 78       | 38       | 16                     |
| 01000305054               | NH (Bronzelagerschale / Stahlinnenring)               | 14       | M14                          | 19       | 13.5     | 16.8     | 36       | 60       | 78       | 38       | 16                     |
| 01000305055               | NH (Bronzelagerschale / Stahlinnenring)               | 16       | M16L                         | 21       | 15       | 19.3     | 42       | 66       | 87       | 40       | 15                     |
| 01000305056               | NH (Bronzelagerschale / Stahlinnenring)               | 16       | M16                          | 21       | 15       | 19.3     | 42       | 66       | 87       | 40       | 15                     |
| 01000305057               | NH (Bronzelagerschale / Stahlinnenring)               | 18       | M18x1.5L                     | 23       | 16.5     | 21.8     | 46       | 72       | 95       | 44       | 15                     |
| 01000305058               | NH (Bronzelagerschale / Stahlinnenring)               | 18       | M18x1.5                      | 23       | 16.5     | 21.8     | 46       | 72       | 95       | 44       | 15                     |
| 01000305059               | NH (Bronzelagerschale / Stahlinnenring)               | 20       | M20x1.5L                     | 25       | 18       | 24.3     | 50       | 78       | 103      | 47       | 14                     |
| D 01000305060             | NH (Bronzelagerschale / Stahlinnenring)               | 20       | M20x1.5                      | 25       | 18       | 24.3     | 50       | 78       | 103      | 47       | 14                     |
| 01000305061               | NH (Bronzelagerschale / Stahlinnenring)               | 22       | M22x1.5L                     | 28       | 20       | 25.8     | 54       | 84       | 111      | 51       | 15                     |
| 01000305062               | NH (Bronzelagerschale / Stahlinnenring)               | 22       | M22x1.5                      | 28       | 20       | 25.8     | 54       | 84       | 111      | 51       | 15                     |
| 01000305063               | NH (Bronzelagerschale / Stahlinnenring)               | 25       | M24x2L                       | 31       | 22       | 29.6     | 60       | 94       | 124      | 58       | 15                     |
| 01000305064               | NH (Bronzelagerschale / Stahlinnenring)               | 25       | M24x2                        | 31       | 22       | 29.6     | 60       | 94       | 124      | 58       | 15                     |
| 01000305065               | NH (Bronzelagerschale / Stahlinnenring)               | 30       | M30x2L                       | 37       | 25       | 34.8     | 70       | 110      | 145      | 71       | 17                     |
| 01000305066               | NH (Bronzelagerschale / Stahlinnenring)               | 30       | M30x2                        | 37       | 25       | 34.8     | 70       | 110      | 145      | 71       | 17                     |
| 01000305067               | NH (Bronzelagerschale / Stahlinnenring)               | 5        | M5L                          | 8        | 6        | 7.7      | 18       | 33       | 42       | 20       | 13                     |
| 01000305068               | NH (Bronzelagerschale / Stahlinnenring)               | 5        | M5                           | 8        | 6        | 7.7      | 18       | 33       | 42       | 20       | 13                     |
| 01000305069               | NH (Bronzelagerschale / Stahlinnenring)               | 6        | M6L                          | 9        | 6.75     | 8.9      | 20       | 36       | 46       | 22       | 13                     |
| 01000305070               | NH (Bronzelagerschale / Stahlinnenring)               | 6        | M6                           | 9        | 6.75     | 8.9      | 20       | 36       | 46       | 22       | 13                     |
| C 01000305071             | NH (Bronzelagerschale / Stahlinnenring)               | 8        | M8L                          | 12       | 9        | 10.4     | 24       | 42       | 54       | 25       | 14                     |
| 01000305072               | NH (Bronzelagerschale / Stahlinnenring)               | 8        | M8                           | 12       | 9        | 10.4     | 24       | 42       | 54       | 25       | 14                     |



|                    |            |                      |                                    |
|--------------------|------------|----------------------|------------------------------------|
| <b>SToxx</b> parts |            | tolerance DIN2768-mk |                                    |
| ... der Normteile  |            |                      |                                    |
| Gezeichnet         | Datum      | Name                 | Gelenkkopf mit Schraube, Edelstahl |
| Kontrolliert       | 05.10.2020 | Dennis Bruder        |                                    |
| Norm               |            |                      |                                    |
|                    |            | 01000305000          |                                    |
|                    |            | 2                    |                                    |
|                    |            | A2                   |                                    |
| Status             | Änderungen | Datum                | Name                               |
|                    |            |                      |                                    |
|                    |            | weight -             |                                    |
|                    |            | scale 1:1            |                                    |