

IP-JP4 SERIES

4K60 (4:2:0) 1Gb AVoIP Solution



IP-JP4-TX-10



IP-JP4-RX-10

> Product Description

The Netvio JP4 Series provides high-performance AV-over-IP distribution over standard 1GbE networks, combining scalability, flexibility, and uncompromised video quality. Built on JPEG2000 technology with dual-stream capability, the JP4 encoders and decoders transport video, audio, control, and streaming signals on a single CAT5e/6/6A/7 cable up to 100 m (328 ft).

Supporting resolutions up to 4K60 at 4:2:0, the JP4 Series is ideal for video-centric applications such as digital signage, hospitality, live events, and sports environments where smooth motion and frame rate are critical. For detail-focused environments, the system supports 4K30 at 4:2:2, ensuring crisp text, accurate graphics, and reliable performance in corporate, education, and control room installations.

> Product Features

- Dual 1Gb 4K HDR, 2K30 PoE Encoder
- 4K HDR video encoding not surpassing 850Mbps
- ContentPlus+ 2K30 Low Bandwidth Real-time-stream-protocol (RTSP) including stereo audio
- Connected device control via IR, RS-232-CEC
- Individual routing of video, audio, control & USB.
- Analog & Digital Audio outputs.
- Alternative audio content overlay
- USB KVM peripheral device connection.
- Free-On-Board AV control system or drivers for traditional providers.
- Drivers for traditional control systems.
- Configured through Netvio360 premium interface for fast deployment.
- Video wall processing upto 16x16 including landscape & portrait formats.
- Compatible with MV-H2-0401-10 for MultiView functionality.

> What's Included

- 1 × (Encoder or Decoder)
- 1 × IR Receiver Cable (1.5 m / 4.9 ft)
- 1 × IR Blaster Cable (1.5 m / 4.9 ft)
- 3 × 3-pin Phoenix Connectors (RS-232, Audio)
- 2 × Mounting Ears + Screws
- 1 × User information
- 12V/1A PSU not provided, PoE Default power.

> Included Software & Apps

- Netvio360 Configuration Software
- AppBuilder Software
- NetvioGo End-user application.

> Specifications

Audio | Video

- Supports HDMI2.0b 18Gb HDMI input signal.
- Compliance up to HDCP2.2
- Max Video Transmission 3840x2160 60fps 4:2:0 8bit
- Video signal over LAN not exceeding 850Mbps
- IP Preview (RTSP) Main Output 1920x1080 30fps + LPCM 2.0 audio
- Enhanced compatibility mode ideal conference hubs, laptop & commercial display integration.
- HDR Compatible including HDR10, HLG, HDR10+ & Dolby Vision
- Scaler capable of 4K to 2K
- End to Latency = 1 video frame
- LPCM 2.0/5.1/7.1CH, Dolby Digital/Plus/EX, Dolby True HD, Dolby Atmos DTS, DTS-96/24, DTS-EX DSD, DTS High Res, DTS-HD Master, DTS:X
- Audio connectivity from HDMI or Analog connectivity.
- Ability to embed additional audio source to HDMI signal via encoder.

Network

- 1 GbE, up to 100 m (328 ft) over CAT5e/6/6A/7

Streaming

- Dual streams—JPEG2000 + H.265; VLAN capable for secondary stream

Control Interfaces

- Web GUI, RS-232 (Phoenix), TCP/IP API, IR

Video Wall Support

- Up to 16x16, including advanced wall-in-wall layouts

Power

- PoE (IEEE 802.3af) or 12 V DC power supply
- Power Consumption
- Encoder: < 8 W; Decoder: < 4 W

Dimensions

- 204 × 100 × 21.5 mm (8.03 × 3.94 × 0.85 in)

Weight

- Encoder: 509 g (1.12 lb); Decoder: 496 g (1.09 lb)

Housing

- Black metal enclosure

Operating Temp

- 0 °C to 40 °C (32 °F to 104 °F)
- Storage Temp
- -20 °C to 60 °C (-4 °F to 140 °F)
- Humidity
- 20–90 % RH, non-condensing

Country of origin

- Hardware: China
- Software: UK

HSA Code

- 8517.62.0000

Warranty

- 5-Years (2-years advanced replacement).
- Subject to warranty conditions available at www.netvio.io/warranty

> Connectivity

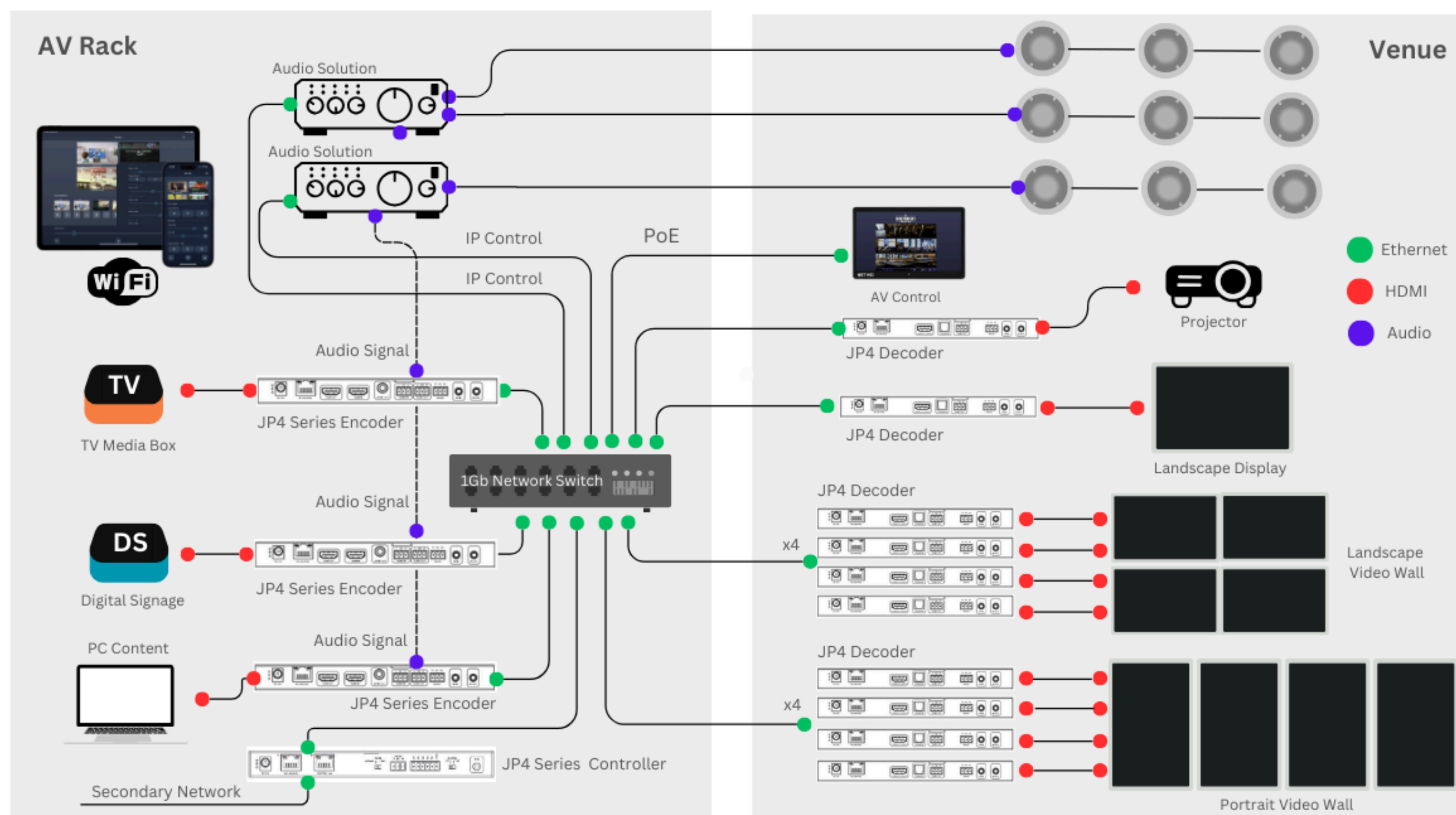
Encoder

- Inputs
 - 1 × HDMI In — up to 4K60 4:2:0
 - 1 × Analog Audio In (3.5 mm stereo)
 - 1 × IR In (3.5 mm)
 - 1 × RS-232 (Phoenix connector)
- Outputs
 - 1 × HDMI Loop Out — local monitoring / confidence feed
 - 1 × Analog Audio Out (3.5 mm stereo)
 - 1 × IR Out (3.5 mm)
- LAN
 - 1 × LAN (RJ45) — Gigabit Ethernet for AV-over-IP transport
- Other
 - 1 × DC Power In (12 V) (PSU not supplied) or PoE
 - USB for service/config (Micro-USB or similar)
 - USB-A for peripheral connection

Decoder

- Inputs
 - 1 × HDMI Out
 - 1 × Analog Audio In (3.5 mm stereo)
 - 1 × IR In (3.5 mm)
 - 1 × LAN (RJ45) — Gigabit Ethernet for AV-over-IP transport
- Outputs
 - 1 × HDMI Out — up to 4K60 4:4:4 to display/projector
 - 1 × Analog Audio Out (3.5 mm stereo)
 - 1 × IR Out (3.5 mm)
 - 1 × RS-232 (Phoenix connector)
- LAN
 - 1 × LAN (RJ45) — Gigabit Ethernet for AV-over-IP transport
- Other
 - 1 × DC Power In (12 V) (PSU not supplied) or PoE
 - USB for service/config (Micro-USB or similar)
 - USB-B for peripheral connection

> Wiring Diagram



> Related Products

- IP-JP4-CL-10 (Network Controller)
- IP-SW-24P-10 / IP-SW-48P-10 (Plug & Network Switches)
- TS-13-10 (Touch Screen) - Moving to TS-10-10 Equivalent
- TS-MT-10 (Touch Screen Mount)
- MV-H2-O401-10 (MultiView)
- IP-RK-10 (Rack Mount)

> Integrations

- NetvioGO End-User Application (Free)
- NetvioGo integrations including Blaze, LEA, Powersoft, Symetrix, Cloud, Yamaha, plus many other AV devices.
- Control System Drivers including Crestron, Q-Sys, Control4, RTI, Elan

> M&E Description

Architects & Engineers Specification – Netvio JP4 Series

The AVoIP encoder and decoder shall provide transport of HDMI 2.0b video, embedded audio, control, and IR over standard Gigabit Ethernet networks. The system shall support 4K60 resolution with 4:2:0 chroma subsampling, up to 18 Gbps bandwidth, with JPEG2000 compression for the primary stream and H.265 for secondary streaming.

The encoder shall provide one (1) HDMI input with loop-through output, analog audio input, RS-232 port, IR input/output, and a Gigabit Ethernet port for network transport. The decoder shall provide one (1) HDMI output, analog audio output, RS-232 port, IR input/output, and a Gigabit Ethernet port for network transport. Both units shall support audio de-embedding via 3.5 mm stereo outputs.

The system shall be capable of point-to-point extension, matrix switching, and video wall configurations up to 16x16. Control shall be available via Web GUI, RS-232, TCP/IP, IR, and open API. The system shall also support ContentPlus+ secondary streams for preview, recording, or mobile applications.

Power shall be supplied by 12 V DC adapters (not supplied) or Power-over-Ethernet (PoE). The encoder shall consume less than 8 W and the decoder less than 4 W. Units shall be housed in metal enclosures measuring no more than 204 × 100 × 21.5 mm (8.03 × 3.94 × 0.85 in) and weighing no more than 509 g (encoder) and 496 g (decoder).

> Approved Switches

• Netvio

- Arakins
- Cisco
- Draytek
- Luxul
- Netgear
- Niveo
- Ubiquiti

Switch guides are available for download at www.netvio.io or www.netvio.co.uk