



FLEXMIC GEN 2

GOOSENECK MICROPHONE

BEST IN CLASS

Earthworks Audio FlexMic microphones are revered worldwide as Best in Class.

Used for big games, presidential events and religious gatherings.

The new 2nd Generation FlexMic podium microphones build on everything great in the original with enhanced technology for the discerning professional user.

The overall sound is warmer and the polar pattern is more accommodating for all levels of speaking experience. With lower phantom power consumption, FlexMic is now compatible with a wider array of systems. The gooseneck is copper-wound and made to stand the test of time.

It's simply the best, made better.

FEATURES

- Available in three different lengths (16-inch, 20-inch, 24-inch), with either a cardioid or supercardioid polar pattern.
- Copper-wound gooseneck ensures long-term durability.
- Uniform pattern control captures detailed sound while rejecting noise from the rear of the microphone.
- Gen 2 circuitry reduces phantom power consumption and increases compatibility with all preamp and input types.
- Designed with podiums and lecterns in mind.
- Intended for critical public events, houses of worship and televised broadcast productions.
- Designed, tuned and assembled in the USA.

SPECIFICATIONS

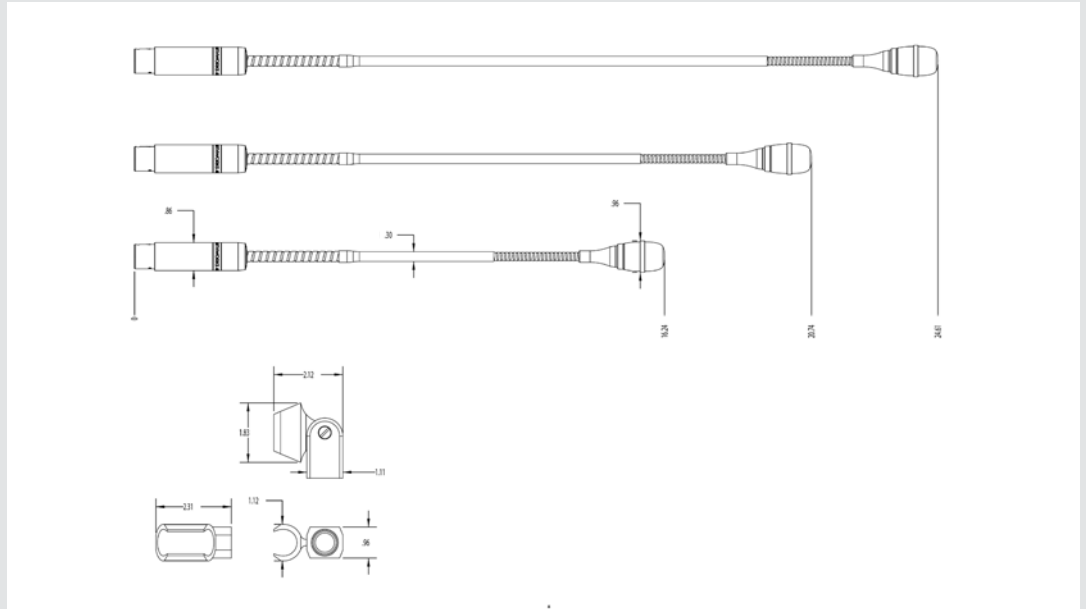
Frequency Response	20Hz – 20kHz
Polar Pattern	Cardioid or Supercardioid
Microphone Type	Condenser
Sensitivity (1kHz)	-34 dBV/Pa (20 mV/Pa)
Phantom Power Requirements	48V, 6mA
Maximum Acoustic Input	148 dB SPL
Self Noise	20 dB SPL (A-Weighted)
Output Connector	XLR3-M
Minimum Load Impedance	1k Ohm
Dimensions (L x D)	FM5R-C + FM5R-S: 16.24 in x 0.86 in (412.5 mm x 21.84 mm) FM6R-C + FM6R-S: 20.74 in x 0.86 in (526.8 mm x 21.84 mm) FM7R-C + FM7R-S: 24.61 in x 0.86 in (625.1 mm x 21.84 mm)
Weight	FM5R-C + FM5R-S: 0.30lb (0.14kg) FM6R-C + FM6R-S: 0.35lb (0.16kg) FM7R-C + FM7R-S: 0.35lb (0.16kg)
Available Accessories	FMW2 Foam Windscreen, PMM1 Microphone Mount
Manufacturer Part Number	FM5R-C, FM5R-S, FM6R-C, FM6R-S, FM7R-C, FM7R-S
Warranty	2 Years



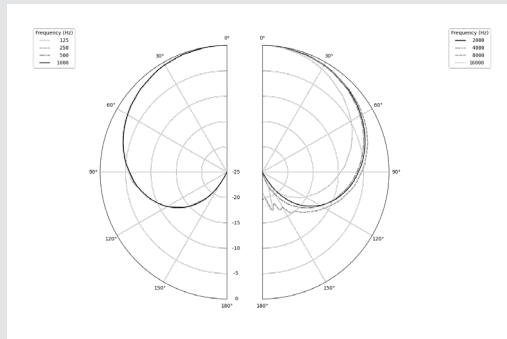
WARRANTY Earthworks products carry a limited warranty. Visit earthworksaudio.com/warranty for more information.

EARTHWORKS AUDIO

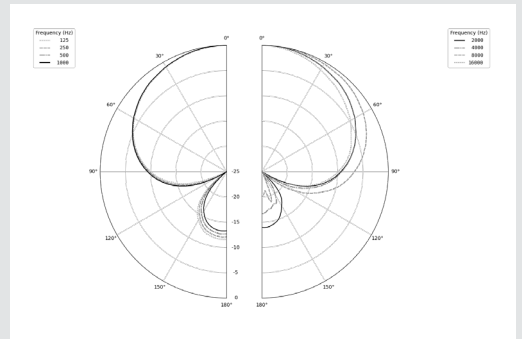
PRODUCT DIAGRAM



POLAR RESPONSE

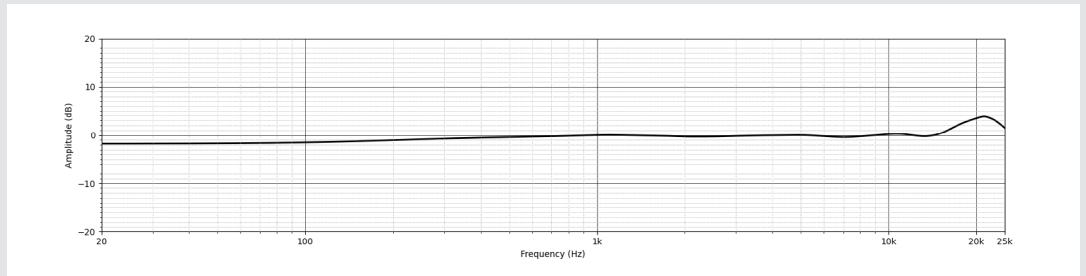


CARDIOID

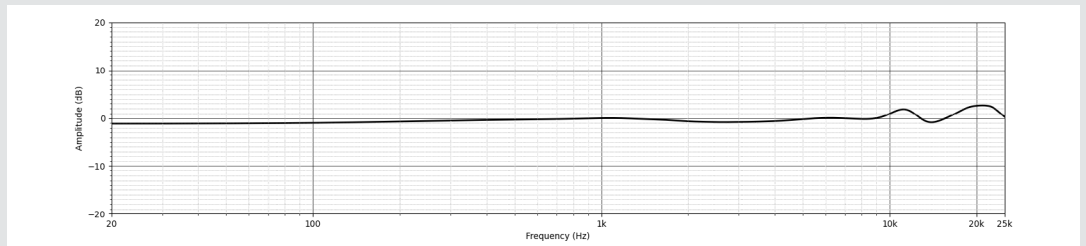


SUPERCARDIOID

FREQUENCY RESPONSE



CARDIOID



SUPERCARDIOID

ADDITIONAL ASSETS

For any assets to use on your product landing page, [please visit the Product Media Kit linked here.](#)