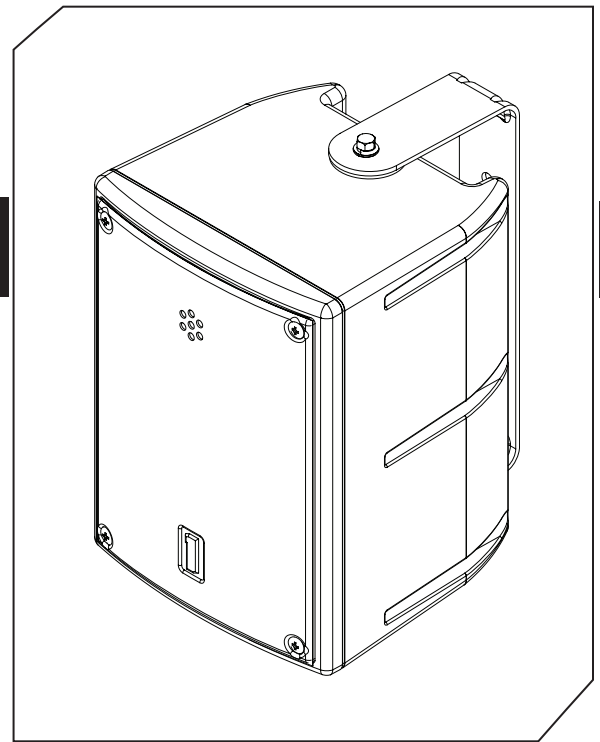


104HTH[™]

DIRECT WEATHER HIGH PERFORMANCE LOUDSPEAKER SYSTEM

The One Systems 104HTH is a universal direct weather loudspeaker system designed for use in both marine environments and general purpose inland environments. The 104HTH utilizes 316- grade stainless steel (marine-grade) for all structural and rigging points. All associated One Systems rigging accessories are also 316-grade stainless steel. All metal components that are not structural feature a newly developed marine-grade powder coat over 304-grade stainless steel. This allows the 104HTH to be used in ocean front and cruise ship applications, as well as in other general purpose direct weather installations. The 104HTH also features an installer configurable High Z or Lo Z mode. The High Z mode features a wide bandwidth 50-watt autoformer that presents input taps of 50 Watts, 25 Watts and 12.5 Watts. The Lo Z mode is 8- ohms. The simple configuration process is found on the third page of this data sheet, or on the One Systems web site (www.onesystems.com). The configuration scheme does not utilize any switches that limit system reliability. The Hi Z mode allows for either 70.7Vrms or 100Vrms operation. The 104HTH offers superb intelligibility and extended bandwidth, as well as superior system dynamics.

The 104HTH is a two-way design featuring a wide coverage pattern of 110 degrees by 80 degrees. This low Q pattern is ideal for short throw applications and near field sound reinforcement applications. The elliptical wave guide provides optimal loading to the high frequency driver. The 4.5 inch nominal diameter, low frequency component features a very large voice coil diameter, insures high reliability and excellent linearity.



FEATURES & BENEFITS

- » Marine-grade (316) stainless steel rigging and structural support
- » Easily configurable Hi Z (50 watt) multi tap or Lo Z (8-ohm) operation
- » Combined 70.7Vrms or 100Vrms operation
- » Marine-grade (316) stainless steel U-bracket included
- » No performance degrading or dynamics limiting passive protection devices
- » 50 watts continuous, 200 watts peak power handling in the Lo Z mode
- » IEC 529 IP 56 ingress protection

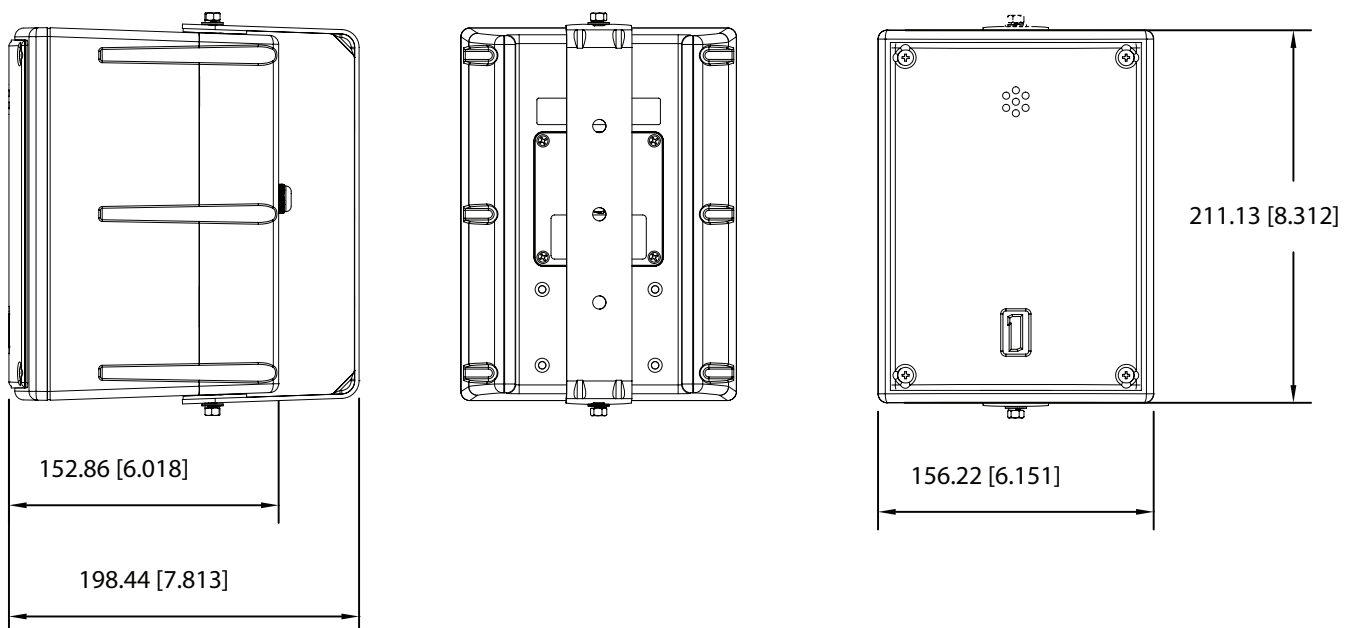
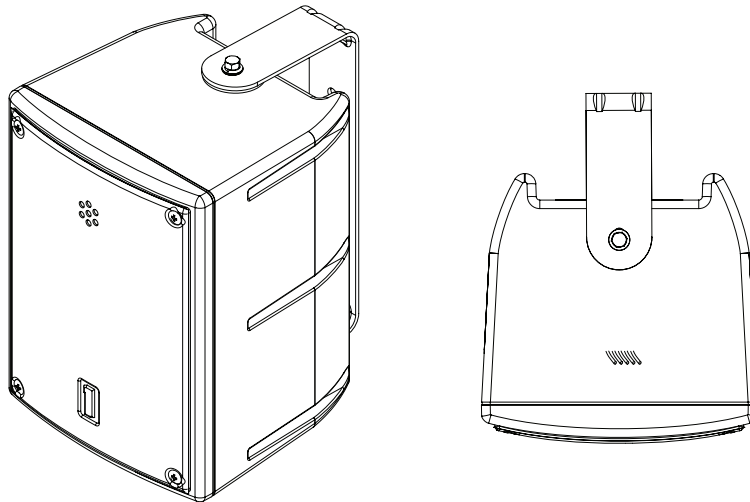
SPECIFICATIONS

Frequency Response:	85Hz – 20,000Hz	Dimensions (H x W x D) mm:	211.2 x 156.2 x 130.5
Coverage Pattern:	110 H X 80 V	Dimensions (H x W x D) in:	8.3 x 6.15 x 5.1
Crossover Frequency:	3000 Hz		
System Sensitivity (1 Watt / 1 Meter):	5-position barrier		
Power Handling:	50 watts continuous		
	100 watts program		
	200 watts peak		
Input Impedance (Lo Z):	8-ohms		
Input Taps (Hi Z):	50 Watts, 25 Watts, 12.5 Watts		
Weight:	3.5kg (7.7 lb.)		

104HTH[™]

DIRECT WEATHER HIGH PERFORMANCE LOUDSPEAKER SYSTEM

The One Systems 104HTH includes a 316 (marine-grade) stainless steel U-bracket. The enclosure also features 4 each M5 rigging points on the back of the enclosure. These rigging points may be used with the One Systems PT-10/M or the PM2-M pole mount system. The enclosure is an injection molded design that utilizes a high impact copolymer material that exhibits superior weather resistance. The 104HTH is available in either black or white color. Both color options are stabilized for ultra violet exposure. The 104HTH features a three-layer "rain shield" grille design and an input weather cover with water proof gland nut. The overall ingress protection is rated at IP56.



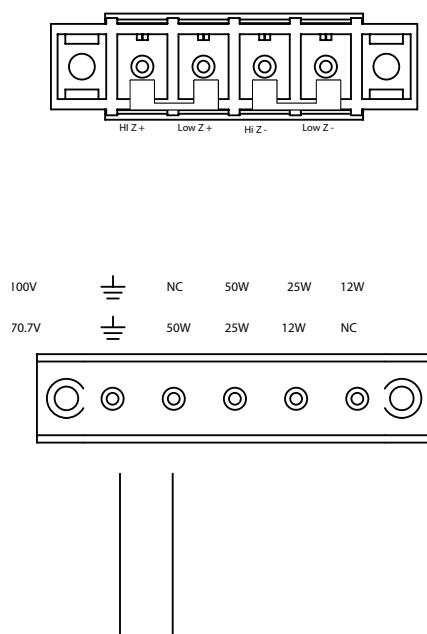
104HTH[™]

DIRECT WEATHER HIGH PERFORMANCE LOUDSPEAKER SYSTEM

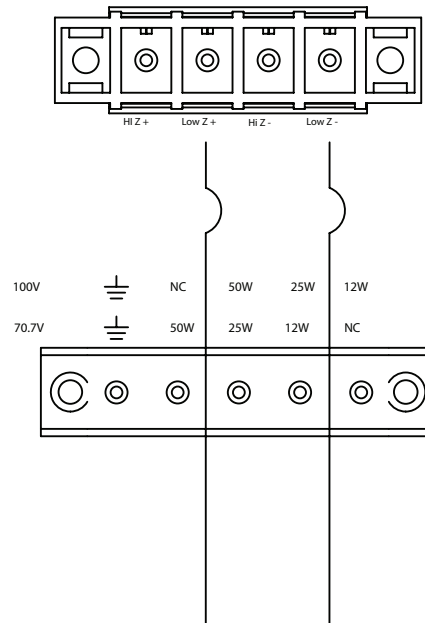
The One Systems 104HTH is designed to be easily configured for either low impedance (Lo Z) 8- ohm operation or Hi Z (70.7Vrms or 100Vrms) operation. The 104HTH is shipped from the factory configured for Hi Z (70.7Vrms or 100Vrms) operation. In this mode the wiring from an amplifier is connected to the lower (5 position) barrier strip. **No** wiring is required on the top (4-position) barrier strip. The two “shorting” links (shown in the image) must be left in place for Hi Z operation. The image on the left represents the Hi Z configuration.

The lower (5-position) barrier strip may be wired for either 70.7Vrms or 100V operation. The specific positions to be used are determined by whether 70.7Vrms or 100Vrms wiring is required.

For Lo Z (8 ohm) operation the two “shorting” links must be removed. **All** wiring for Lo Z operation is on the top (4-position) barrier strip. The lower (5-position) barrier strip is **not** used for Lo Z operation. For Lo Z operation the “Low Z +” and “Low Z -” positions on the 4-position barrier strip are used. **Do not** wire to the “High Z +” or the “High Z -” positions for Lo Z operation. The image on the right shows the two “shorting” links removed and the amplifier wiring to the “Low Z +” and “Low Z -” positions.



FROM HI Z
AMPLIFIER



FROM LO Z
AMPLIFIER