

# CELO8S

## User & Installation Manual



[www.audac.eu](http://www.audac.eu)



# Introduction

## 8” High–end Slim Ceiling Subwoofer

The CELO8S is the next step in our journey to provide an impeccable musical atmosphere. This 8” ceiling subwoofer is fitted with a stiff and light aluminum membrane, resulting in detailed and punchy bass, while the open back design enables the CELO8S to reproduce low frequencies in the most natural way possible. Its integrated stereo crossover enables you to effortlessly connect your satellite speakers, resulting in the absolute finest full range musical atmosphere.

To overcome the architectural challenges of the most luxurious interior designs, the CELO8S is fitted with our SlimLine™ grill design with an exceptionally thin border of only 1 mm and a minimized grill depth, extruding merely 3.2 mm from the ceiling surface. In addition, the grill is completely paintable, making the speaker disappear without sacrificing any sound quality. This elegant and unobtrusive grill is held in place by means of powerful neodymium magnets, making assembly and disassembly simple and reliable.

When the grill is removed, it’s clear for anyone to see that the CELO8S is made by using only the highest quality materials, guaranteeing an unsurpassed sound experience. This results in true to nature sound reproduction for a warm and detailed sound with an RMS power of 50 Watt per channel.

# Precautions

## READ FOLLOWING INSTRUCTIONS FOR YOUR OWN SAFETY

- ALWAYS KEEP THESE INSTRUCTIONS FOR FUTURE REFERENCE. NEVER THROW THEM AWAY
- ALWAYS HANDLE THIS UNIT WITH CARE
- CLEAN ONLY WITH DRY CLOTH
- HEED ALL WARNINGS AND FOLLOW ALL INSTRUCTIONS
- NEVER EXPOSE THIS EQUIPMENT TO RAIN, MOISTURE, ANY DRIPPING OR SPLASHING LIQUID. AND NEVER PLACE AN OBJECT FILLED WITH LIQUID ON TOP OF THIS DEVICE
- DO NOT INSTALL THIS UNIT NEAR ANY HEAT SOURCES SUCH AS RADIATORS OR OTHER APPARATUS THAT PRODUCE HEAT
- DO NOT PLACE THIS UNIT IN ENVIRONMENTS WITH A HIGH LEVEL OF DUST, HEAT, MOISTURE OR VIBRATION
- THIS UNIT IS DEVELOPED FOR INDOOR USE ONLY. DO NOT USE IT OUTDOORS
- ONLY USE ATTACHMENTS & ACCESSORIES SPECIFIED BY THE MANUFACTURER.
- ONLY INSTALL THE SPEAKER IN LOCATIONS THAT CAN STRUCTURALLY SUPPORT THE WEIGHT OF THE SPEAKER. IGNORING THIS CAN BRING THE SPEAKER DOWN.
- DO NOT USE ANY OTHER METHOD THAN SPECIFIED TO MOUNT THE SPEAKER. IF EXTREME FORCE IS APPLIED TO THE SPEAKER, IT COULD FALL DOWN
- CAREFULLY CHECK THE UNIT'S CONDITION AFTER UNPACKING. IF THERE IS ANY DAMAGE TO THE CARTON BOX OR THE UNIT ITSELF, INFORM YOUR VENDOR IMMEDIATELY.

## CAUTION

- USE CABLES OF THE RIGHT GAUGE TO CONNECT THE LOUDSPEAKER
- USE CABLES WITH CLEAR COLOUR CODING INDICATING THE POLARITY AND MAINTAIN THE SAME POLARITY THROUGHOUT THE WHOLE SYSTEM.
- ONLY USE THE CORRECT AMPLIFIER OUTPUT VOLTAGE AND IMPEDANCE. EXCEEDING THESE LIMITS COULD CAUSE FIRE OR OTHER FAILURES.  
**AVOID EXPLOSIONS:** DO NOT USE THE SPEAKER AROUND GASOLINE, THINNER OR OTHER COMBUSTIBLES
- AVOID ELECTRIC SHOCKS: SWITCH OFF THE AMPLIFIER WHEN CONNECTING THE LOUDSPEAKER
- DO NOT USE THE LOUDSPEAKER FOR AN EXTENDED PERIOD OF TIME AT DISTORTED SOUND. THIS COULD CAUSE PERMANENT DAMAGE.



### CAUTION – SERVICING

This product contains no user serviceable parts. Refer all servicing to qualified service personnel. Do not perform any servicing (unless you are qualified to do so.)



### EC DECLARATION OF CONFORMITY

This product conforms to all the essential requirements and further relevant specifications described in following directives: 2014/30/EU (EMC) and 2014/35/EU (LVD)



### WASTE ELECTRICAL AND ELECTRONIC EQUIPMENT (WEEE)

The WEEE marking indicates that this product should not be disposed with regular household waste at the end of its product life. This regulation is created to protect both the environment and human health.

This product is developed and manufactured with high quality materials and components which can be recycled and/or reused. Please dispose this product to your local collection point or recycling centre for electrical and electronic waste. This will make to sure that it will be recycled on an environmentally friendly manner, and will help to protect the environment in which we all live.

# Installing the CEL08S

## Introduction

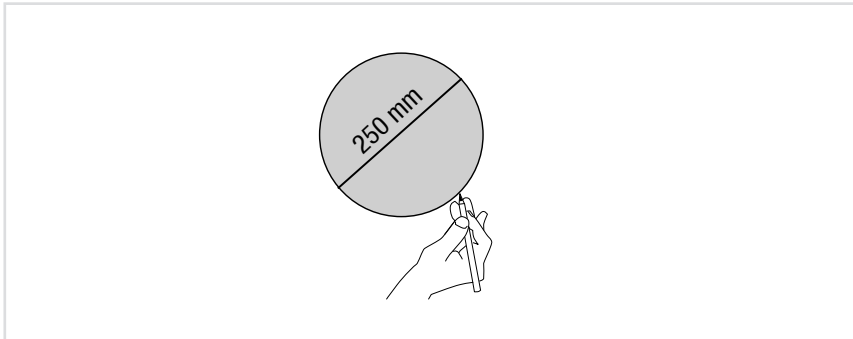
The CEL08S features a quick-fixing mechanism, which allows quick and easy installation of the subwoofer in only a few minutes.

The installation of the CEL08S requires a minimum amount of installation skills. Before the loudspeaker is installed, the location where it will be mounted should be carefully checked to make sure the surface can support the weight of the speaker and no lines for water, gas, electricity or other supplies are crossing this point.

## Installation procedure

To ensure a safe and secure mounting of the loudspeaker, the installation should be done according to the procedure described below:

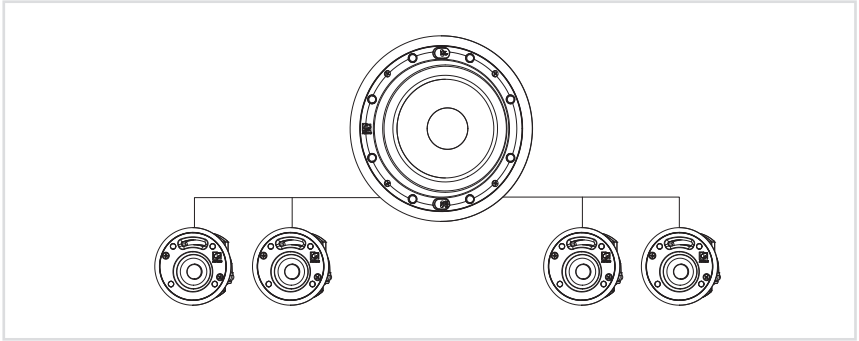
### STEP 1



Cut a hole on the mounting location in the ceiling. Make sure the diameter is matching the cut-out measurement for the installing loudspeaker.

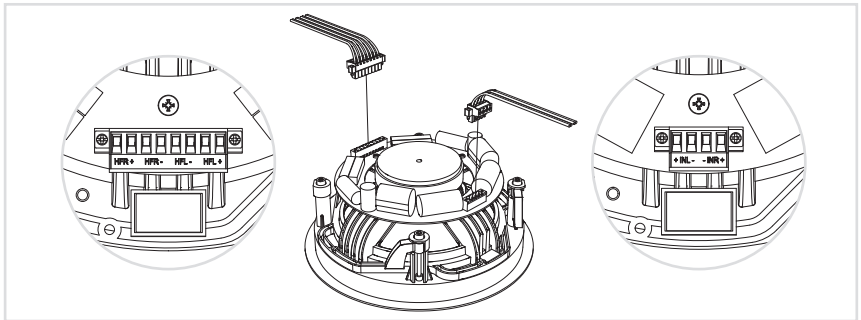
Double check if there are no cables or other obstructions behind the mounting surface before making the cut-out.

## STEP 2



The CELO8S features an integrated stereo crossover, enabling you to connect your satellites. Two or four 8 ohm satellites can be used as well as eight 16 Ohm satellites.

## STEP 3



Connect the wiring by attaching the cables to the terminal block connectors and plugging them in to the CELO8S. Make sure the connectors are secured by tightening the set screws.

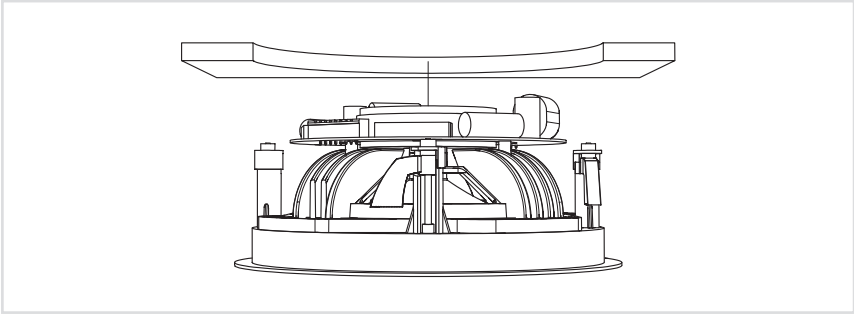
**HFR:** Connect your right channel satellites

**HFL:** Connect your left channel satellites

**INR:** Connect your right amplifier channel

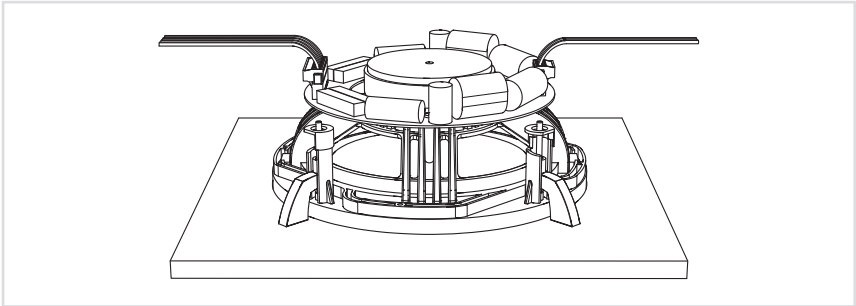
**INL:** Connect your left amplifier channel

#### STEP 4



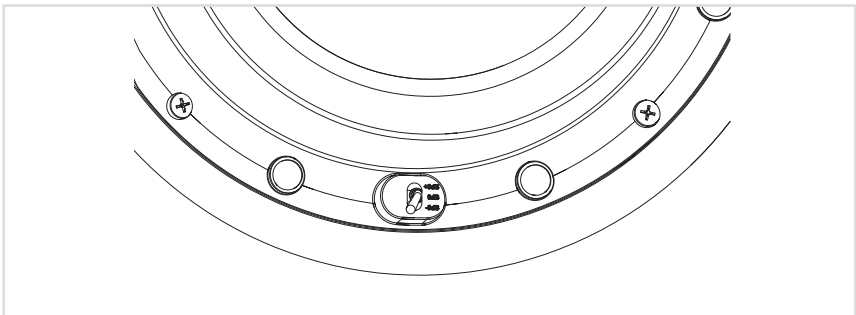
Make sure the mounting clamps are fully bended inwards, allowing the speaker to fit through the cut out. Insert the speaker into the cut out and tighten the mounting screws. A quarter turn is enough to flip out the mounting clamps, locking the speaker in place.

#### STEP 5



Tighten the screws for proper fixation of the speaker.

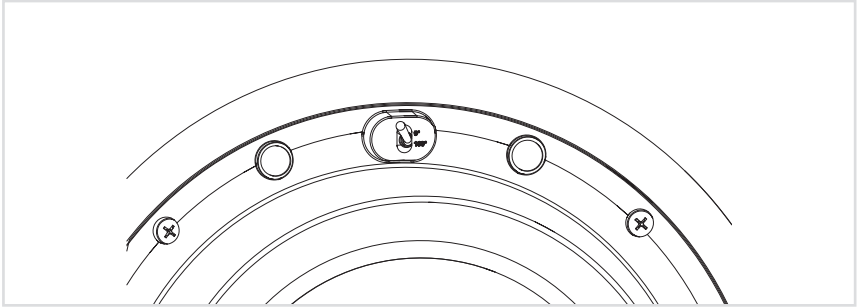
#### STEP 6



Depending on your installation and preferred sound, the volume of the satellites relative to the subwoofer can be increased and decreased by 3 dB.

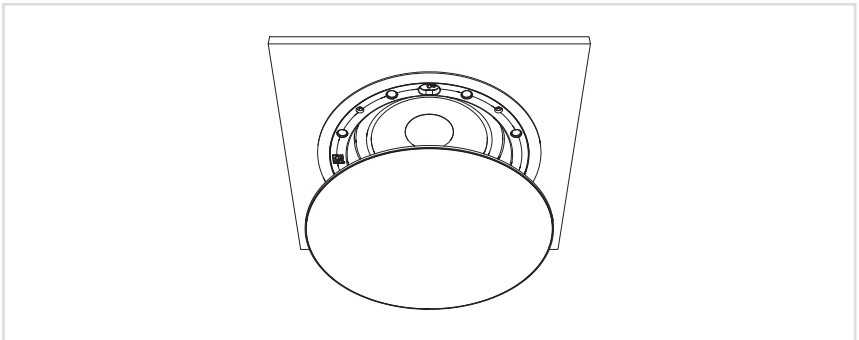


## STEP 7



Depending on the acoustical properties of your room and placement of the subwoofer, the sub can be better integrated in your room when switched to either  $0^\circ$  or  $180^\circ$ . We recommend  $0^\circ$  when all speakers are mounted in a flat wall or ceiling.

## STEP 8



Attach the grill. Thanks to the magnets, it will snap in place.

# Additional Information

## Technical specifications

|                           |                                                                      |
|---------------------------|----------------------------------------------------------------------|
| RMS Power                 | 50 Watt / Channel                                                    |
| Max. Power                | 100 Watt / Channel                                                   |
| Nominal impedance         | 8 Ohm / Channel                                                      |
| Sensitivity 1W / 1m       | 83 dB / Channel                                                      |
| Sound pressure Max W / 1m | 103 dB / Channel                                                     |
| Frequency response –3 dB  | 45 Hz – 200 Hz                                                       |
| Cross-over frequency      | 200 Hz                                                               |
| Cross-over network        | Passive Built-in                                                     |
| Drivers                   | 8" LF Alu woofer                                                     |
| Input/Output connection   | Terminal block connector                                             |
| Mounting                  | 4-Screw Quick-Fixing Mechanism                                       |
| Construction              | High-Quality ABS                                                     |
| Front finish              | White Thin edge grill (RAL9003)<br>(1 mm width x 3.2 mm height edge) |
| Dimensions                | Ø 275 x 120 mm                                                       |
| Cut-out measurement       | Ø 250 mm                                                             |
| Built-in depth            | 117 mm                                                               |
| Weight                    | 2,75 Kg                                                              |
| Packaging                 | Carton box                                                           |
| Shipping weight & Volume  | 3.5 Kg – 0,016 Cbm                                                   |
| Accessories included      | Cut-out template<br>Instruction manual                               |



