

# NETVIO

## PRODUCT GUIDE 2026



Simplified Complexity

AV Content Delivery over IT Networks



[www.netvio.io](http://www.netvio.io) | [sales@netvio.co.uk](mailto:sales@netvio.co.uk)  
+44 (0) 800 464 7445 | +1-833-720-0637

# Index

- 01 About Netvio
- 02 Integrated Software
- 03 NetvioGo
- 04 Why Netvio?
- 05 Smart Power Unit
- 06 JP4 AVoIP Series | 4K60 (4:2:0)
- 07 JP4-60-D Series | 4K60 (4:4:4) with Dante AV
- 08 JP4-60-DX Series | USB-C/HDMI with Fiber SFP & Dante AV
- 09 JP4 Series Wiring Example
- 10 JP4 Series In-Wall Encoder | Touch Screen
- 11 Smart 1Gb Network Switches
- 12 In-Wall Bluetooth Dante Signal Converters
- 13 In-Line Dante Audio Adaptors
- 14 HDMI/HDBaseT Switchers
- 15 HDMI/HDBaseT Switchers & MultiViewer
- 16 HDMI Extenders & KVM
- 17 HDMI Splitters & Audio Extenders

# Works With.....



- 18 Casestudies
- 19 Warranty & Policies

# About Netvio

Video content delivery over networks using a variety of technologies including AVoIP, HDBaseT, Dante including advanced software integration.

## Where is Netvio Used?

- **COLLABORATION** Meetings rooms, collaboration spaces, conference rooms, huddle spaces, boardrooms and briefing centers.
- **LEARNING** Classrooms, training rooms, lecture halls, labs.
- **HOSPITALITY** Ballrooms, exhibition halls, hotels, restaurants, bars, theme parks, museums, casinos, sporting venues.
- **PUBLIC VENUES** Lobbies, auditoriums, houses of worship, courtrooms, municipal chambers, gyms and health clubs.

## Who does Netvio Integrate With?

Netvio integrates seamlessly with a full range of mainstream control systems used across professional AV installations. Dedicated drivers are available for major platforms including **Crestron, Control4, Q-SYS, RTI and Nice**, allowing Netvio devices to be easily incorporated into existing control environments.

In addition to third-party control integration, Netvio also provides its own embedded control capabilities, designed to focus on simplicity and speed of deployment where less complex solutions are required.

Embedded control also extends to integration with a number of leading ProAV audio brands, including **Blaze, Powersoft, Symetrix and LEA Professional**, enabling straightforward control of audio devices alongside Netvio AV distribution systems.

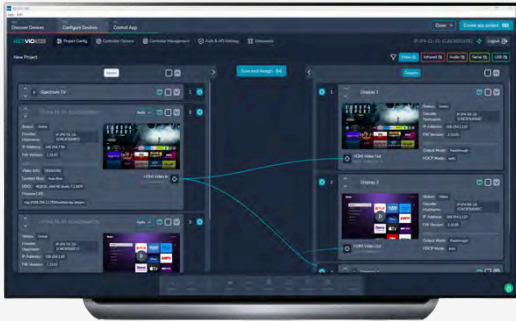
## 5-Year Warranty

Netvio products are engineered to meet the demanding requirements of professional AV installations and are backed by a **5-Year manufacturer's warranty**. This warranty covers defects in materials and workmanship under normal operating conditions, providing long-term reliability and confidence for integrators and end users. Should a product be found to be defective within the warranty period, Netvio will repair or replace the unit to ensure continued system performance.

# Advanced Embedded Software Applications

Netvio360 | Universal Configuration Software

360



- Automatic Device Discovery – Instantly finds all encoders, decoders, and switches via DHCP, no manual setup needed.
- Batch Configuration – Configure multiple devices at the same time for faster deployments.
- Point and Shoot Signal Routing – Visually route video, audio, USB, IR, and RS-232 connections with ease.
- EDID Management – Import, export, and apply presets for maximum display compatibility.
- Video Wall Setup – Create layouts up to 16x16 with bezel correction and orientation controls.
- ContentPlus+ RTSP Streaming – Enable external decoding and recording through real-time streaming.

AppBuilder | UI Designer for Android, iOS devices

APP



- No coding required – drag-and-drop simplicity for faster development and lower costs
- Custom branding & tailored UIs – add logos, and navigation imagery, with device-specific layouts for each user
- Comprehensive AV control – supports popular AV brands including easy setup of video walls, multiview, and audio systems.
- Instant deployment – distribute to end-user devices in seconds via simple QR code scanning
- Cross-platform ready – one design works across iOS, Android, tablets, phones, and Netvio touch screens
- Full system ownership – retain complete control of design and updates without relying on third-party programmers.

NetvioGo | Embedded End-User Control Application

GO

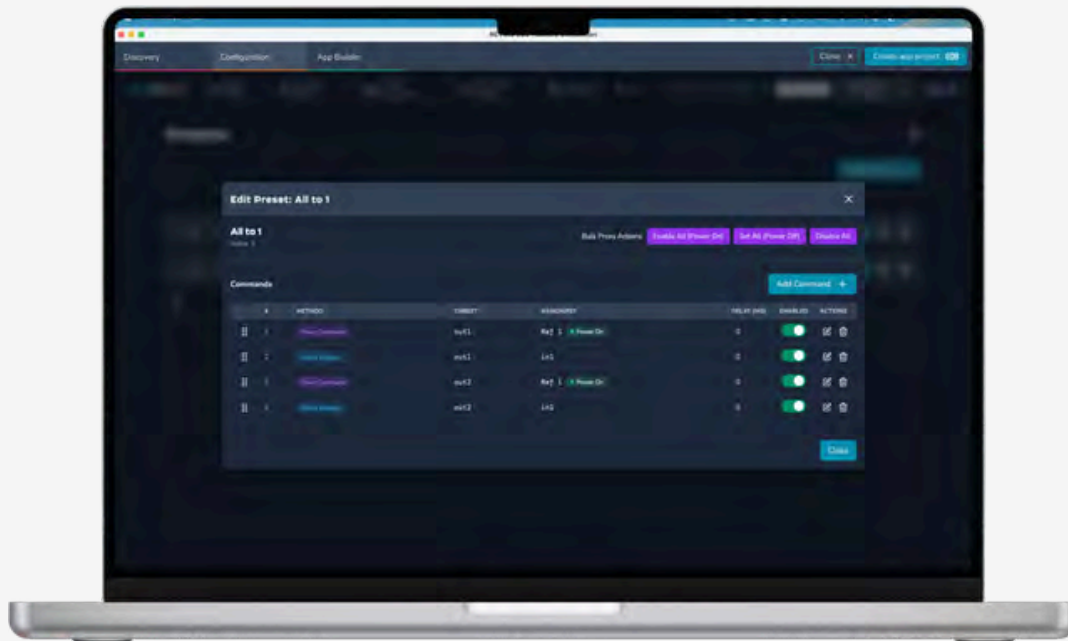


- Unified AV Control – Control both audio and video within a single intuitive interface
- Live Source Previews – See what's playing on each source before switching (with ContentPlus+) - not available H Series Matrix
- Video Wall & Multiview Control – Instantly recall video wall layouts and multiview presets
- Audio Zone Management – Control multi-zone, multi-amplifier audio systems with two-way feedback
- Device Power & Input Control – Turn displays on/off or switch inputs via IP, RS-232, or HDMI-CEC
- Room & Zone Navigation – Switch between rooms or system zones in one seamless app
- Zero Programming Required – Build custom interfaces visually using AppBuilder – no coding needed

# NETVIOGO

**NEW** | System Pre-Set Function now available

GO

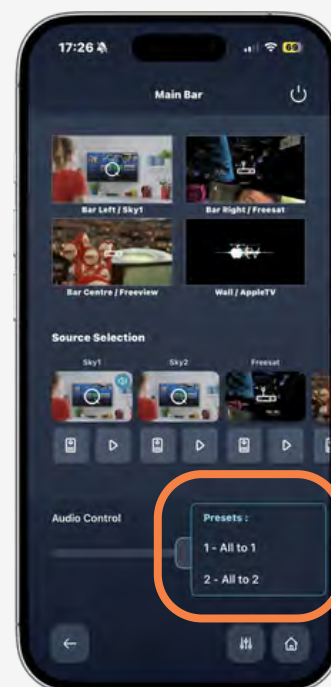


NetvioGo introduces a powerful new screen state **preset function**, enabling users to save and recall complete **system configurations in seconds**.

This includes video, audio and control signal routing as well as associated power states, all stored within a single preset.

Presets can be created instantly by capturing the current system state, or manually configured using a simple line-by-line interface to define screens, sources, and power behavior.

This significantly enhances the end-user experience by eliminating the need to make multiple individual adjustments, allowing entire system changes to be executed quickly, consistently, and with minimal effort.



# Why Netvio?

## JP4 Series Call Out Features & Benefits

### 4K60 (4:4:4) Over 1Gb

Netvio delivers true 4K60 4:4:4 video over standard 1Gb networks, removing the need for costly 10Gb infrastructure.

With optimized bandwidth efficiency, it preserves full color accuracy and sharp detail — ideal for professional AV applications — while reducing both system cost and complexity.

### RTSP

Used by Netvio's ContentPlus+ feature to stream video and audio from AVoIP encoders to third-party devices. The stream is delivered as a unicast RTSP feed using H.264 or H.265 compression, allowing control systems, software decoders, or monitoring applications to preview live AV content over the network without additional hardware.

### Enterprise Security

The Netvio controller's web interface uses HTTPS encryption by default, protecting communication between the browser and controller with SSL/TLS.

Administrators can also upload custom SSL/TLS certificates to enable trusted, secure access and avoid browser security warnings.

### Embedded Control Solution

Netvio includes an embedded control solution that allows AV systems to be configured and operated directly within the platform without requiring a separate external control processor. This enables basic automation, device control, and system management through the controller, web interface, or Netvio Go app, simplifying deployment for many installations.

### Sub-Frame Latency

Latency in Netvio AV-over-IP systems is extremely low, enabling near-real-time transmission of video, audio, and control signals across standard Ethernet networks. This low latency ensures smooth switching between sources and displays, making the platform suitable for live presentation, collaboration, and professional AV environments where minimal delay is important.

### Universal API

The Netvio Universal API allows third-party control systems and custom software to integrate directly with the Netvio AV-over-IP platform. Using a JSON-based command structure, it enables external systems to control signal routing, monitor device status, and automate system operation through the Netvio controller.

# PW-08-10

COMING IN 2026

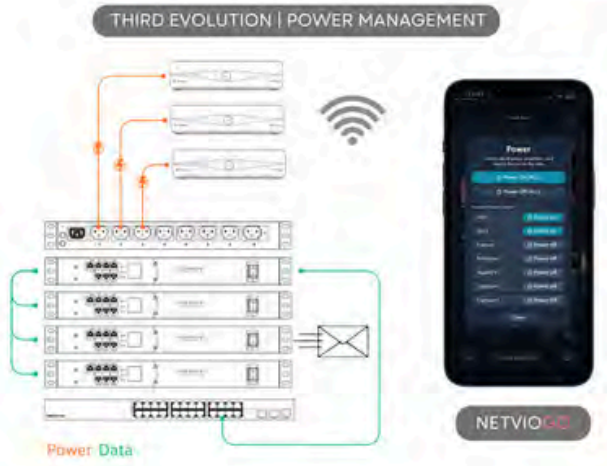
POWER

NEW | Managed Smart PDU

APP

GO

360



## PW-08-10

8 Individually Controlled & Monitored Outlets with Cascading Support

- 8 individually controlled power outlets
- Per-outlet current and power monitoring
- Remote ON / OFF / reboot control per outlet
- RS-485 hardware cascading Up to 6 PDUs managed as one system (1 master + 5 cascaded units)



## JP4 SERIES AVOIP | 1Gb

Feature	JP4	JP4-60-D	JP4-60-DX
Netvio360	<input checked="" type="checkbox"/>	<input checked="" type="checkbox"/>	<input checked="" type="checkbox"/>
Netvio AppBuilder	<input checked="" type="checkbox"/>	<input checked="" type="checkbox"/>	<input checked="" type="checkbox"/>
NetvioGo	<input checked="" type="checkbox"/>	<input checked="" type="checkbox"/>	<input checked="" type="checkbox"/>
Control System Drivers	<input checked="" type="checkbox"/>	<input checked="" type="checkbox"/>	<input checked="" type="checkbox"/>
4K60 (4:2:0)	<input checked="" type="checkbox"/>	<input type="checkbox"/>	<input type="checkbox"/>
4K60 (4:4:4)	<input type="checkbox"/>	<input checked="" type="checkbox"/>	<input checked="" type="checkbox"/>
Dante AV	<input type="checkbox"/>	<input checked="" type="checkbox"/>	<input checked="" type="checkbox"/>
USB2.0 KVM	<input checked="" type="checkbox"/>	<input type="checkbox"/>	<input checked="" type="checkbox"/>
USB-C/HDMI Inputs	<input type="checkbox"/>	<input type="checkbox"/>	<input checked="" type="checkbox"/>
Fiber SFP	<input type="checkbox"/>	<input type="checkbox"/>	<input checked="" type="checkbox"/>

# IP-JP4 Series

AVOIP



**NEW** | IP-JP4 SERIES 4K60 (4:2:0) \$ APP GO 360

## IP-JP4-TX-10

### PoE Encoder (TX)

- Cost effective solution for large scale deployment.
- Dual 1Gb 4K60 (4:2:0), 2K30 PoE Encoder
- 4K HDR video encoding not surpassing 850Mbps
- ContentPlus+ 2K30 Low Bandwidth Real-time-stream-protocol (RTSP) including stereo audio
- Connected device control via IR, RS-232-CEC.



**NEW** | IP-JP4 SERIES 4K60 (4:2:0) \$ APP GO 360

## IP-JP4-RX-10

### PoE Decoder (RX)

- 1Gb 4K60 (4:2:0) HDR PoE Decoder
- Video wall processing upto 16x16
- 4K HDR video encoding not surpassing 850Mbps
- Connected device control via IR, RS-232-CEC
- Individual routing of video, audio, control & USB.
- NetvioGo Embedded Control Solution



IP-JP4-CL-10 APP GO 360

### Network Controller

- Large-System Ready – Optimized to manage hundreds of JP4 endpoints across enterprise-scale, multi-switch networks. Required system component for JP4 Series unless using Dante AV-A.



# IP-JP4-60 D Series

AVOIP



Dante AV-A™

**NEW** | IP-JP4-D SERIES 4K60 (4:4:4)



**IP-JP4-60-D-TX-10**

## PoE Encoder (TX)

- Latest Gen2 Dual 1Gb 4K (4:4:4) HDR, 2K30 PoE Encoder
- 2 Modes of operation | Netvio or Dante AV-A
- Superior pixel-for-pixel quality,
- 4K HDR video encoding not surpassing 850Mbps
- ContentPlus+ 2K30 Low Bandwidth Real-time-stream-protocol (RTSP) including stereo audio
- Fast Switching with Genlock Synchronicity.



**NEW** | IP-JP4-D SERIES 4K60 (4:4:4)



**IP-JP4-60-D-RX-10**

## PoE Decoder (RX)

- Latest Gen2 Dual 1Gb 4K (4:4:4) HDR PoE Decoder
- Superior pixel-for-pixel quality,
- 4K HDR video encoding not surpassing 850Mbps
- Video wall processing upto 16x16
- Fast Switching with Genlock Synchronicity.
- NetvioGo Embedded Control Solution



**IP-RK-10**

## 6U 10 Device JP4 Series Rack

- High Capacity — Mounts up to 10 devices in only 6U of rack space.
- Full Compatibility — Supports all versions of the Netvio JP4 Series, including encoders, decoders, and the IP-JP4-CL-10 controller.



# IP-JP4-60 DX Series

AVOIP



Dante AV-A™

**NEW** | IP-JP4-DX SERIES 4K60 (4:4:4)

\$\$\$ APP GO 360

### IP-JP4-60-DX-TX-10

#### PoE Encoder (TX)

- Flagship Netvio AV-over-IP platform
- Visually lossless 4K60 4:4:4 HDR video transmission
- HDMI and USB-C input switching on a single device
- USB2.0 KVM for conference cameras, keyboards.
- Multiple audio & Control IOs.
- 60W port for device charging



**NEW** | IP-JP4-DX SERIES 4K60 (4:4:4)

\$\$\$ APP GO 360

### IP-JP4-60-DX-RX-10

#### PoE Decoder (RX)

- 4K60 (4:4:4) Video Encoder over 1Gb Network
- SFP Fiber port for a variety of modules.
- USB2.0 KVM & Routing
- Audio & Control IOs
- NetvioGo Embedded Control Solution



## NETVIO MODE OR DANTE AV-A MODE?

**Netvio Mode** is the native operating mode of Netvio AVoIP devices, optimized for high-quality 4K60 video distribution with ultra-low latency, dual-stream ContentPlus+ capabilities, and seamless integration with Netvio's control and management ecosystem.

**Dante AV Mode** enables compatibility with the Dante AV-A ecosystem, allowing Netvio devices to transmit synchronized video and audio over standard IP networks while integrating seamlessly with Dante-enabled audio infrastructure. In Dante AV Mode, the **IP-JP4-CL-10 controller is not required**.

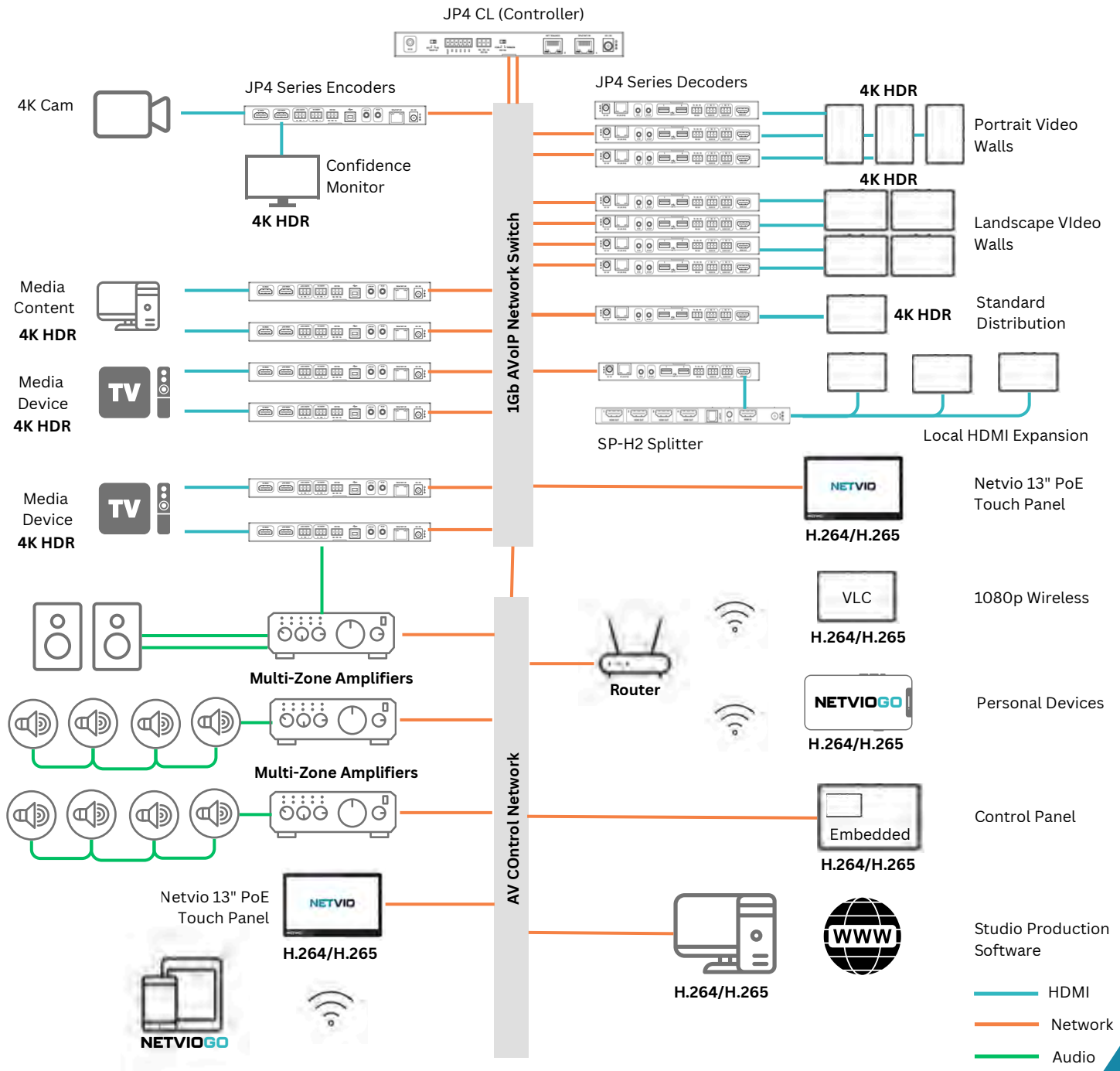
# IP-JP4 Series

**NEW** | IP-JP4-DX SERIES 4K60 (4:4:4)

APP

GO

360



# In-Wall Encoder (TX)

AVOIP

**NEW** | IP-JP4-DX SERIES 4K60 (4:4:4)

APP

GO

360

IP-JP4-60-DX-IW-TX-10

## PoE Encoder (TX)

- 4K60 (4:4:4) In-Wall Video Encoder over 1Gb Network
- US Style 2-Gang
- Standard PoE
- 2x1 USB-C/HDMI Inputs
- Dante AV
- USB2.0 KVM & Routing
- Audio & Control IOs
- Netvio360 Premier Management Software



**NEW** | 10inch NetvioGo Touch Screen

APP

GO

TS-10-10

## PoE 10inch Touch Screen

- NetvioGo Inclusive — Pre-installed, no additional licensing costs.
- Robust Touch Interface — 10" capacitive display designed for continuous professional use.
- Android Powered — Built on Android with a quad-core processor for smooth performance and future-proof capability.
- Open Architecture — Upload and run third-party Android apps, enabling integration with UC platforms, signage, or building automation.
- Fast Deployment — Boot and configured in under 60 seconds.



TS-MT-20

## Adjustable Height Stand

- Adjustable height mount for TS-10-10 touchscreen.
- Clean, professional mount for table or countertop operation.





# 1Gb Network Switches

**NEW** | IP-SW-N1 Series (Smart Switch)

IP-SW Series



360

**IP-SW-N1-48P-10**

## **NEW** | 48-Port 1Gb Network Switch with 4x 10Gb SFP

- Smart configuration software automating and simplifying normally complex process.
- Brand and device agnostic with the ability to support standard IP devices such as IT peripherals, Audio, Security and Video.
- Ability to connect multiple switches using 10Gb SFP ports.
- Automates processes including VLANs, multicast rules, QoS, and port behaviours.



360

**IP-SW-N1-24P-10**

## **NEW** | 24-Port 1Gb Network Switch with 4x 10Gb SFP

- Smart configuration software.
- Brand & device agnostic
- Multiple switch capable.



360

**IP-SW-N1-8P-10**

## **NEW** | 8-Port 1Gb Network Switch with 4x 10Gb SFP

- Smart configuration software.
- Brand & device agnostic
- Multiple switch capable.



**IP-SW-24P-10**

## 21 End Point Pre-Configured AVoIP 1Gb Network Switch

- Zero config plug & play platform.
- Suitable for systems upto 21 AVoIP end points.



**IP-SW-48P-10**

## 45 End Point Pre-Configured AVoIP 1Gb Network Switch

- Zero config plug & play platform.
- Suitable for systems upto 45 AVoIP end points.

# Dante Series Converters



**NEW** | IP-JP4-DX SERIES 4K60 (4:4:4)



**IP-IW-UK1-BT-D-10**

## PoE Bluetooth Encoder (TX)

- Bluetooth Audio to Dante®
- Bluetooth 5.1 Wireless Streaming
- Simple BYOD Audio Connectivity
- PoE Powered Installation
- Compact 1-Gang Wall Plate
- Web UI for Bluetooth configuration and audio DSP.



**NEW** | IP-JP4-DX SERIES 4K60 (4:4:4)



**IP-IW-UK2-BT-D-10**

## PoE Bluetooth Encoder (TX)

- Bluetooth & Analog Audio to Dante®
- RCA & 3.5mm Analog Inputs
- Dual Bluetooth Device Support
- PoE Powered Installation
- Professional 2-Gang Wall Plate
- Web UI for Bluetooth configuration and audio DSP.



The **integrated Web UI** provides simple browser-based configuration and control of the wall plate without requiring additional software. From the interface, users can select input sources, configure Bluetooth pairing and device naming, adjust input and output audio levels, and apply DSP settings such as EQ and delay. The Web UI also provides device monitoring, network configuration, and firmware update capabilities, allowing integrators to manage and maintain the device quickly within a Dante® network environment.



## IP-AUD-2CH-DNT-10

### Dante® 2-Channel Analog Audio Encoder with PoE

- Dante® Ultimo-based 2x2 audio encoder
- Converts 2-channel analog audio to Dante® digital audio
- Balanced and unbalanced analog audio input



## IP-AUD-DNT-2CH-10

### Dante® 2-Channel Analog Audio Decoder with PoE

- Dante® Ultimo-based 2-channel audio decoder
- Converts Dante® digital audio to analog line-level audio
- Balanced and unbalanced analog audio output



## IP-AUD-DNT-XLR-10

### Dante® 2-Channel XLR Analog Audio Decoder with PoE

- Dante® Ultimo-based 2-channel audio decoder
- Converts Dante® digital audio to XLR analog audio
- Balanced and unbalanced XLR audio output



## IP-AUD-XLR-DNT-10

### Dante® 2-Channel XLR Analog Audio Encoder with PoE

- Dante® Ultimo-based 2-channel audio encoder
- Converts XLR analog audio to Dante® digital audio
- Balanced and unbalanced XLR audio input



## IP-AUD-USBC-DNT-10

### Dante® 2-Channel USB-C Bi Directional Audio Interface with PoE

- Dante® Ultimo-based 2x2 bi-directional audio interface
- Simultaneous USB-C ↔ Dante® audio operation
- USB Audio Class 1.0 / 2.0 compatible

# HDBaseT HDMI Matrix

## 4x4 HDBaseT/HDMI Audio, Video Matrix

APP

GO

360

4K



### MX-HT2-0404-10

## 4x4 HDBaseT/HDMI, Audio, Video Matrix with ARC & Control

- 4x4 (+4) HDMI2.0 Matrix with HDBaseT
- Outputs 1-3 extend signals up to 40 m (131 ft)
- Output 4 provides long-reach up to 70 m (230 ft) with HDBaseT Ethernet channel
- Audio Matrixing & ARC — Extract audio to analog or coaxial, plus ARC return support.

## 8x8 HDBaseT/HDMI Audio, Video Matrix

APP

GO

360

4K



### MX-HT2-0808-10

## 8x8 HDBaseT/HDMI, Audio, Video Matrix with ARC & Control

- 8x8 (+8) HDMI2.0 Matrix with HDBaseT
- Outputs 1-4 extend signals up to 40 m (131 ft)
- Output 5-8 provides long-reach up to 70 m (230 ft) with HDBaseT Ethernet channel
- Audio Matrixing & ARC — Extract audio to analog or coaxial, plus ARC return support.

## Compatible Matrix Receivers

4K



### RX-HT2-40-10

40m (131ft)

- Compatible with all matrix models.
- 2-Way IR Control
- RS-232

4K



### RX-HT2-40-20

40m (131ft) with ARC

- Used for ARC compatible matrix outputs.
- 2-Way IR Control
- RS-232

4K



### RX-HT2-70-10

70m (231ft) with ARC & Ethernet

- Used for ARC compatible matrix outputs.
- 2-Way IR Control & RS-232
- LAN Extension port

# HDBaseT HDMI Matrix

8x6+2 HDMI/HDBaseT Matrix Switch

GO

360

4K

4K



**MX-HT2-0806-10**

## 8x6+2 HDBaseT/HDMI Video Matrix with Audio Outputs & Control

- 8x8 HDMI 2.0 Matrix with HDBaseT
- Route eight HDMI sources to two HDMI + six HDBaseT outputs.
- HDMI Outputs - 1 & 2
- HDBaseT Extension
  - Outputs 3-6 extend 4K60 4:4:4 up to 40 m (131 ft)
  - Outputs 7 & 8 extend up to 70 m (231 ft)
- Stereo Audio Outputs — HDBaseT Outputs (3-8)

4K



**RX-HT2-40-10**

40m (131ft)

- Suitable for all matrix outputs.
- 2-Way IR Control
- RS-232

4K



**RX-HT2-70-10**

70m (231ft)

- Suitable for outputs 7&8 (no ARC)
- 2-Way IR Control
- RS-232

GO

4K



**MX-H2-0404-10**

### 4x4 Compact HDMI Matrix

- 4x4 HDMI 2.0 Matrix Switching
- True 4K60 UHD Performance – 18Gbps.
- Audio De-Embedding – Extract HDMI audio
- ARC Support – Return display audio to coaxial outputs.

GO

4K



**MV-H2-0401-10**

### 4x1 HDMI KVM MultiViewer

- Seamless switch 4x1 Switcher
- 4K60 with MultiView Modes
- Full KVM feature with hotkeys

# HDMI Extenders



**EX-TS-400-10**

1080p 40m (131ft)

- 1080p Resolution
- HDMI 1.4, HDCP 1.4
- HDMI Loop Out
- IR Control
- PoC



**EX-HT2-401-10**

4K 40m (131ft) 1080p 70m (231ft)

- 4K60 (4:2:0) resolution
- HDMI1.4, HDCP1.4
- 2-Way IR
- RS-232



**EX-HT2-402-10**

4K 40m (131ft) 1080p 70m (231ft)

- 10Gb 4K60 (4:4:4) resolution
- HDMI2.0, HDCP2.2
- 2-Way IR
- RS-232



**EX-HT2-403-10**

4K 40m (131ft) 1080p 70m (231ft)

- 10Gb 4K60 (4:4:4) resolution
- HDMI2.0, HDCP2.2
- ARC Support
- 2-Way IR, RS-232



**EX-HT2-701-10**

4K 70m (231ft) 1080p 100m (328ft)

- 10Gb 4K60 (4:4:4) resolution
- HDMI2.0, HDCP2.2
- ARC & Ethernet Support
- 2-Way IR, RS-232



**EX-HT3-4001-10**

4K 40m (131ft) 1080p 70m (231ft)

- 18Gb 4K60 (4:4:4) resolution
- HDMI2.1, HDCP2.3
- ARC/eARC
- 2-Way IR, RS-232

# USB Extenders



**EX-TS-70-USB-10**

70m (231ft) 4K60 HDMI/KVM Extender

- True 4K performance – Up to 4K60 4:4:4 (18 Gbps)
- Zero-delay, uncompressed HDMI
- Keyboard/mouse control at the display, host USB-B at the TX.



**EX-HT2-USB2-0201-10**

70m (231ft) 4K60 2x1 KVM Extender

- Switch between HDMI or USB-C
- 4K60 4:4:4 video – HDMI 2.0b.
- USB 2.0 KVM extension



**EX-USB3-100-10**

100m (328ft) USB3.2 Gen 1 Extender

- USB 3.2 Gen 1 SuperSpeed Extension
- Delivers full 5 Gbps.
- No drivers or software required; hardware acceleration ensures stable performance across Windows, macOS, and Linux.

## HDMI Splitters



### SP-H2-0102-10

#### 1x2 4K60 HDMI Splitter

- 18Gbps bandwidth, 4K60 4:4:4.
- Audio Extraction
- 4K→1080p Scaling



### 1X4 4K60 HDMI SPLITTER

#### Dante® 2-Channel Analog Audio Encoder

- 18Gbps bandwidth, 4K60 4:4:4.
- Audio Extraction
- 4K→1080p Scaling



### SPH2-0208-10

#### 2x8 8K60 HDMI Splitter

- 48Gbps bandwidth — ensures full compliance with HDMI 2.1
- Resolutions up to 8K@60Hz (4:2:0), 8K@30Hz (4:4:4)

## Audio Extenders



### EX-AUD-2CH-300-10

#### 300m (1000ft) 2Ch Extender

- Multiple Audio Formats — Supports LPCM 2.0/5.1, Dolby Digital 2/5.1CH, DTS, and Dolby Digital Plus.



### EX-ARC-150-10

#### 150m (492ft) ARC Extender

- ARC & SPDIF Modes.
- CEC Pass-Through.
- Audio Format Support — PCM 2.0, Dolby 5.1, DTS 5.1.



### EX-EARC-100-10

#### 100m (331ft) eARC Extender

- ARC & eARC Support.
- PCM 2.0/5.1/7.1, Dolby Digital, Dolby Digital+, DTS, Dolby TrueHD, DTS-HD MA, and Dolby Atmos.

# Case Studies

## 16x11 IP-JP4-60-DNT Series



### Motorworld Mallorca, Spain

Motorworld Mallorca is a premium automotive and lifestyle destination in Palma, combining luxury car showrooms, event spaces, retail and hospitality within a large multi-purpose venue. The AV system utilizes the Netvio **IP-JP4-60-DNT Series**, delivering synchronized 4K60 video distribution with native Dante audio networking over standard IP infrastructure. This enables flexible routing of high-quality content and professional audio across multiple zones, supporting digital signage, presentations and live events throughout the venue.

## 14x8 IP-JP4 Series



### City of Waterloo Ontario, Canada

**14x8 IP-JP4 Series** 24 staff Council chamber with capabilities to stream meetings to the public. 21 additional rooms and systems to be upgraded in various future phases.

## 8x60 IP-JP4-60 Series



### Danske Bank Copenhagen, Denmark

**8x69 IP-JP4-60 Series** solution. Danske Bank's new headquarters required a cutting-edge AV distribution system that could seamlessly integrate high-security requirements with exceptional image quality and cost-effective deployment.

# Policies

## 5-Year Manufacturers Warranty

Netvio warrants that its hardware products will be free from defects in materials and workmanship under normal use for five (5) years from the original purchase date when purchased through an authorized Netvio reseller. Warranty claims require proof of purchase, and a 90-day installation grace period from the purchase date is permitted. If a product is found to be faulty within the first two (2) years,

Netvio may offer an Advanced Replacement Service, subject to product availability and Netvio's discretion. Products purchased through unauthorized or non-approved online resellers are limited to a two (2) year warranty and are not eligible for advanced replacement. Warranty claims must first be initiated through the original reseller or place of purchase.

Netvio may require remote troubleshooting, firmware or software updates, installation review, repair, or replacement as part of the diagnostic and remedy process. Failure to cooperate with reasonable diagnostic procedures may result in the warranty being voided. If a product is discontinued or unavailable, Netvio reserves the right to replace it with a product of equal or greater specification or provide a refund equal to the original purchase price (excluding taxes, shipping, or fees). Full warranty policy available at [www.netvio.io/warranty](http://www.netvio.io/warranty)

## Terms & Conditions

Product availability and pricing are subject to change, orders are only confirmed once payment is accepted, and goods are shipped to an address with risk transferring to the buyer upon delivery to the carrier. Returns and warranty claims are governed by Netvio's warranty policy.

All product guide content and intellectual property belong to Netvio and may not be used without permission. The product guide is provided "as is," and Netvio is not liable for indirect or consequential damages. Netvio may modify these terms at any time.

# NETVIO

Simplified Complexity



[www.netvio.io](http://www.netvio.io)