

Highlights:

- For horizontal and vertical placement
- Versatile application
- Precise directional focus
- Robust and secure mounting
- Space-saving design

Product information:

A two-way revolving bracket, that makes it possible to install the speaker at each location and focus it in the desired direction. Using this bracket, you can install the loudspeaker both horizontally and vertically. The vertical installation method provides an additional advantage when the installation height on the wall or ceiling is limited by focusing the loudspeaker more directly downwards.

The two-way revolving bracket is made out of extra strong zinc-alloy material which ensures a solid and secure mounting of the loudspeaker. One horizontal and one vertical revolving point ensures easy focusing of the loudspeaker in any direction. To realise an optimal installation, distribution of the forces on the revolving points and freedom in focusing of the loudspeaker, it is recommended to install the swivel points of the loudspeaker in a way that the revolving point on the wall plate is positioned in a horizontal direction.

The revolving point on the speaker plate is positioned in a vertical direction. The speaker plate has to be fixed to the loudspeaker cabinet by inserting the 4 supplied mounting screws into the pre-drilled and threaded holes at the back of the speaker cabinet. The wall plate has to be fixed to the wall by four screws. The used fasteners depend on the mounting surface (brick, concrete, wood, ...).

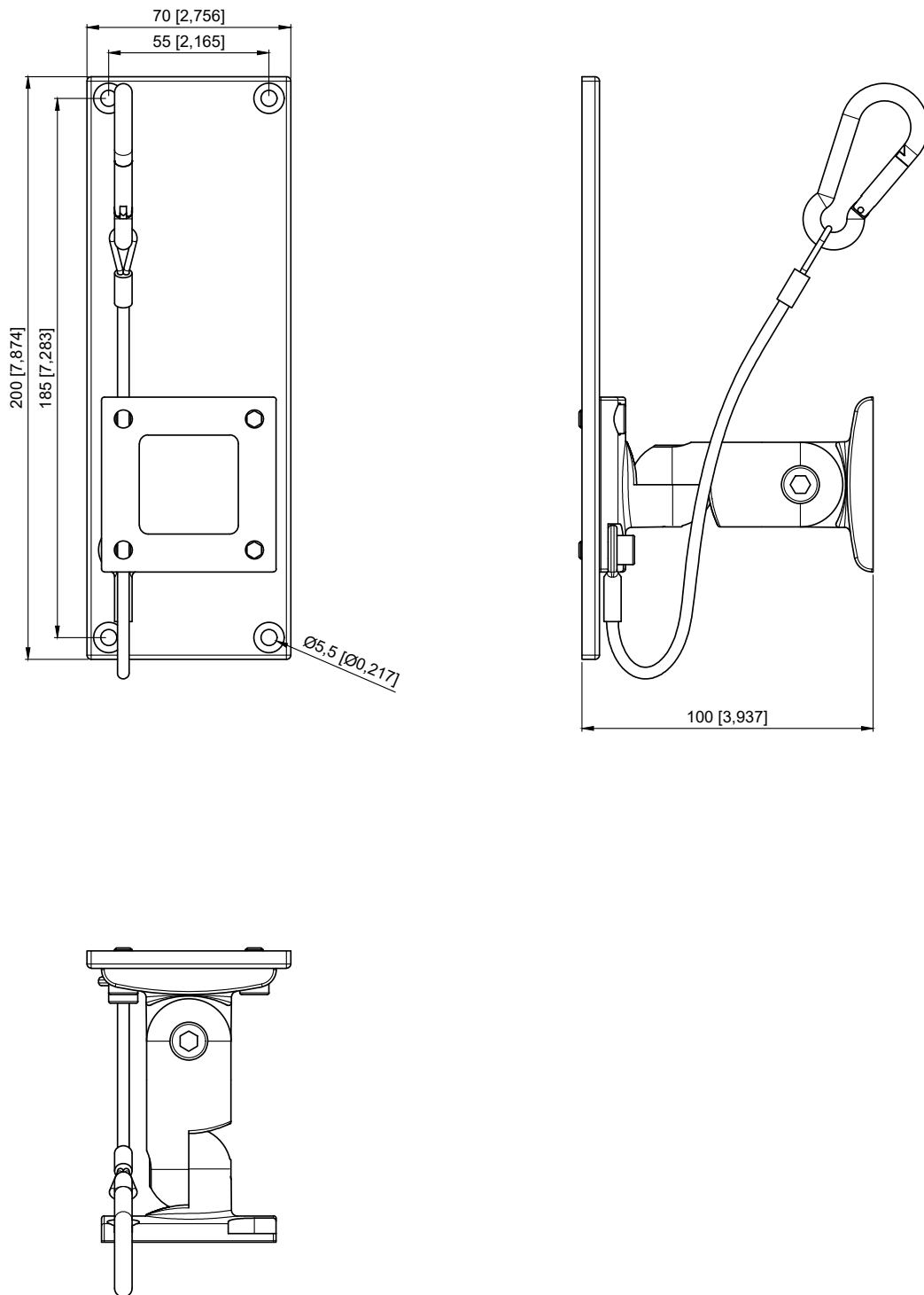



Product Features:

Dimensions	70 x 200 x 100 mm (W x H x D)
Weight	1.33 kg
Finish	Structured powder coating
Colours	Black
	White

Variants:

- MBK500/B - Black version
- MBK500/W - White version



	MBK500		Product description TWO-WAY REVOLVING MOUNTING BRACKET - 45x45xM6 MOUNT		
	MM [INCH]	Scale 1 : 2	Outer dimensions (w x h x d) 70 x 200 x 100 mm 2,756 x 7,874 x 3,937 "	Unit height N/A	Weight 1,33 kg 2,93 lbs