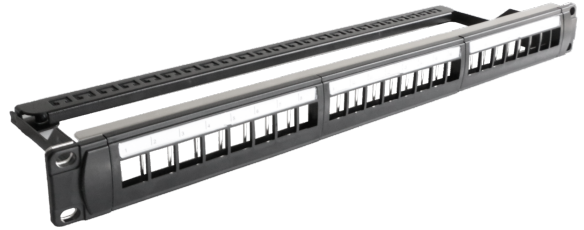


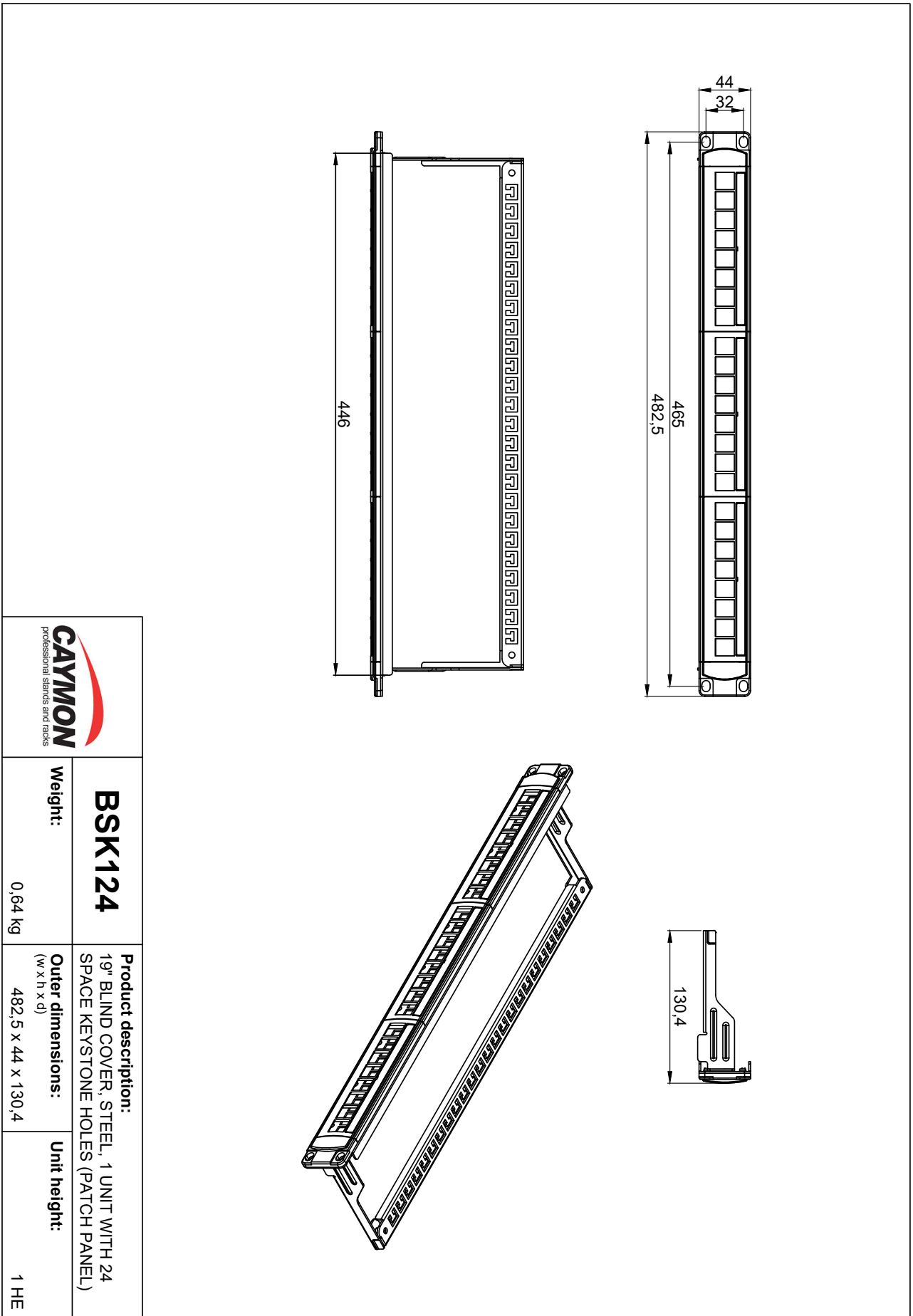
Product information:

A 19" blind panel, made of steel with a plate thickness of 1,5 mm and provided with a black (RAL9004) structured powder coating, fitted with 24 holes for Keystone snap-in modules.



Product Features:

Unit height	1 HE
Dimensions	482.5 x 44 x 130.4 mm (W x H x D)
Weight	0.65 kg



BSK124

Weight:

0,64 kg

Product description:

19" BLIND COVER, STEEL, 1 UNIT WITH 24 SPACE KEYSTONE HOLES (PATCH PANEL)

Outer dimensions:
(w x h x d)

482,5 x 44 x 130,4

Unit height:

1 HE