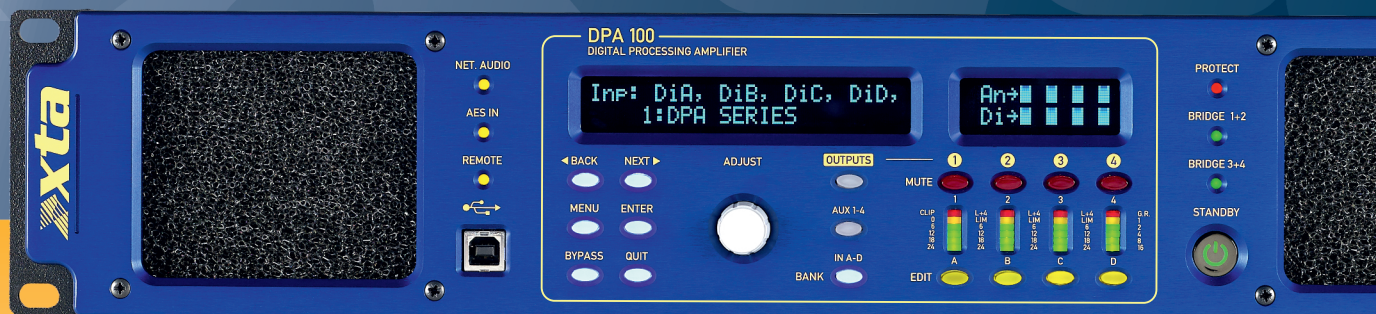


DPA Series Digital Processing Amplification



PROCESSING meets **POWER**

The **DPA Series** from XTA

 Dante™

www.xta.co.uk



DPA Series Digital Processing Amplification

Power meets Processing. Like never before.

With total control of all processing via the front panel, and all the remote options you could ever need, the new DPA Series can work alongside your existing amplifiers, with improved flexibility, performance and protection.

Combining new technology power amplification with the highest definition XTA DSP, the DPA Series take audio performance and convenience to a whole new level. Powerful processing features such as FIR filtering and Dante Networking work alongside unique enhancements including 4 local + 4 aux DSP channels (also supplied to the network), meaning a single DPA amplifier can control a stereo 4-way system with no external processing and supply audio to a Non-DSP amplifier either via analogue or a single Cat5 cable.

Configure and tune using a fast, powerful combination of AudioCore (XTA's fast efficient control software platform) and DeltaDirect, the bespoke iPad app. Every aspect of a network of amplifiers can be controlled and monitored wirelessly.

Direct Ethernet, USB, and RS485 control options plus configurable GPIO offer unparalleled remote control flexibility.

Search "DeltaDirect" to find out more...



*network audio inputs are factory option



Summary Specifications

Inputs:

Dante Network Audio x 4, AES3 x 2 (four chs.), Analogue x 4. Mix matrix for power amp and aux source processing.

Outputs:

Dante Network Audio x 4
 Aux outputs x 4: XLR line level with independent processing and memories.
 Power amplifier outputs(x 4) DPA100:
 14800W (3700W x 4) into 2/2.7 ohms*
 10800W (2700W x 4) into 4ohms
 6000W (1400W x 4) into 8 ohms**
 THD: better than 0.08% (2kW, 1k)
 Freq. resp.: 3Hz-30kHz -3dB

Processing:

ADC and DAC resolution: 24bit
 Internal sample rate: 96kHz
 Delay; Polarity; IIR EQ (PEQ, shelving, variQ, all pass, phase, notch, band pass);
 Crossover up to 48dB/Oct.; FIR filtering;
 Dynamic EQ; Program & Peak Limiter

System:

Nominal system gain: 32dB
 Mains voltage: 115/230VAC nominal 50-60Hz (switchable between 115 & 230V operation)
 Mains current: 20A maximum
 Suggested circuit breaker: C32
 Mains connector: PowerCon

Remote Control:

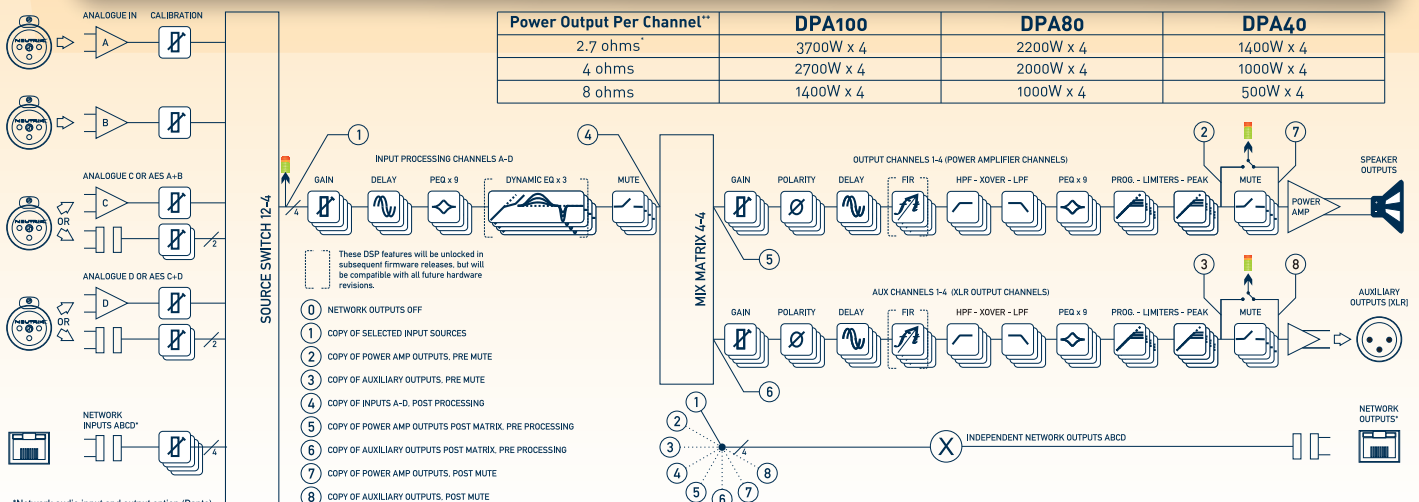
Front panel USB (with RS485 relay mode)
 Rear Panel RS485 bus
 Direct Ethernet (with Rs485 relay mode)
 GPIO Port - 2 x IN, 2 x OUT

Physical:

Dims: 88 x 482 x 458mm (HxWxD)
 Weight: 12.5kg (DPA100)

**Powers measured for continuous music with Crest Factor of 4.8 (14dB)

*2.7 ohm power quoted for highest single ended output and greatest efficiency (3 x 8 ohm parallel drivers). Amplifier is stable with 2 ohm loads but output will be reduced.



Copyright XTA Electronics Ltd. 2018
 XTA Electronics Ltd., The Design House, Vale Business Park, Worcester Road,
 Stourport-on-Severn, Worcestershire, DY13 9BZ. Registered in England: 2735913
 Due to continuing product improvement, all specifications subject to change.

