

Highlights:

- 9 x German (Type F - CEE7/4) power outlet
- Male Schuko (CEE 7/7) input connection
- Black aluminum housing
- 2.5 meter cable
- Chassis earth connection point
- 16A ~ 250 VAC / 4000 W Max
- Rotatable 19" mounting ears



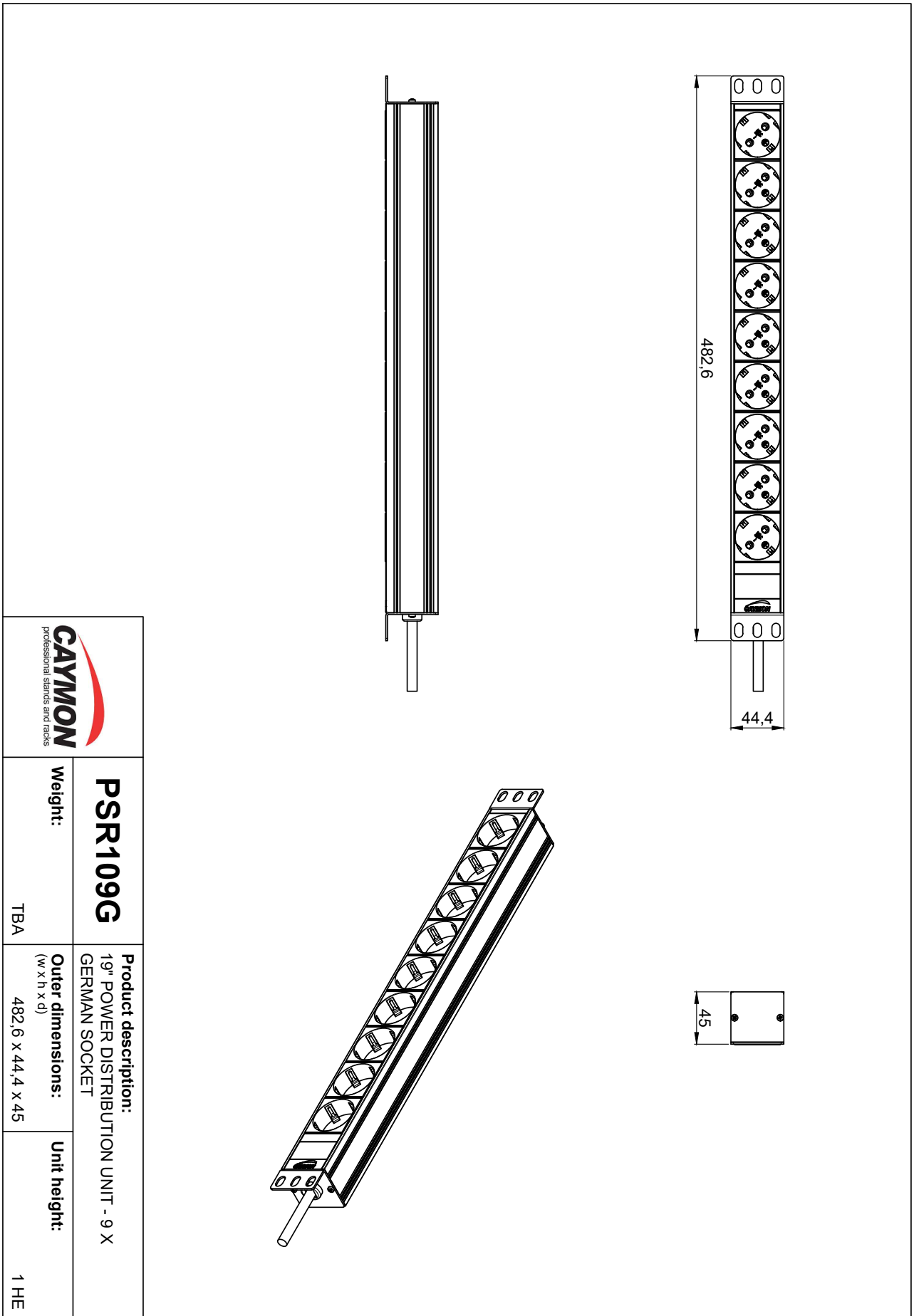
Product information:

The PSR1x9Gx are 19" power distribution units, compliant to the ANSI/EIA RS-310D, DIN41491 and IEC60297 standards. They come in three different models, without a switch (PSR109G), with an illuminated switch on the socket side (PSR109GS) or with an illuminated switch on opposite of socket side (PSR119GS). The construction is made using black powder coated aluminum fitted with steel 19" mounting ears on each side.

The total height covers a single 19" rackspace, allowing it to be installed in any 19" housing or equipment rack. Using the rotatable side ears, wall mounting is also made possible. Input connections are made using a fixed 2.5 meter connection cable fitted with a male schuko (CEE 7/7) plug, while German (Type F - CEE 7/4) output sockets allow power distribution to nine devices. A chassis earth connection point is provided for easily connecting your rack/enclosure to mains earth, as required by safety regulations.

Product Features:

| | |
|----------------|----------------------------------|
| Switch | Opposite side |
| Cable length | 2.5 m |
| Unit height | 1 HE |
| Dimensions | 482.6 x 44.4 x 45 mm (W x H x D) |
| Power handling | 250 V AC ~ 16 A / 4000 W |
| Weight | 0.74 kg |



PSR109G

Weight:

TBA

Product description:
19" POWER DISTRIBUTION UNIT - 9 X
GERMAN SOCKET

Outer dimensions:
(w x h x d)

482,6 x 44,4 x 45

Unit height:

1 HE