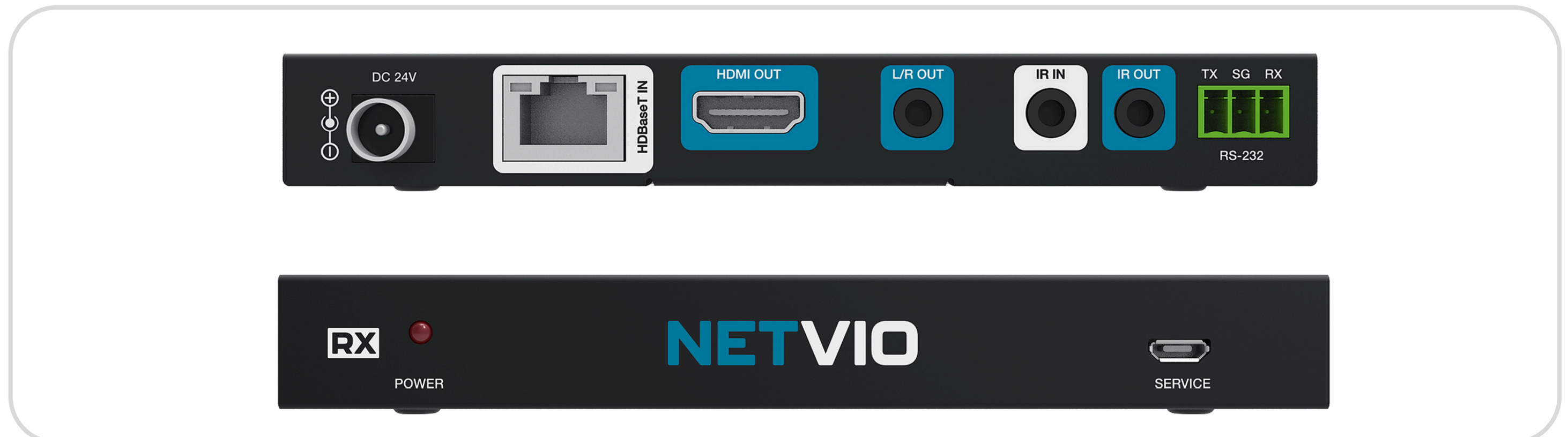


RX-HT2-40-20

HDMI 18Gbps HDBaseT Receiver with ARC, Bi-Directional IR, RS-232 & PoC (40m/131ft)



> Product Description

The Netvio RX-HT2-40-20 is a professional HDBaseT receiver designed for reliable long-distance HDMI distribution. Supporting 18Gbps HDMI 2.0b, HDCP 2.2/1.4 compliance, it delivers full 4K60 4:4:4 video up to 40m (131ft) or 1080p60 up to 70m (230ft) over a single CAT5e/6 cable.

The receiver supports ARC (Audio Return Channel) when paired with compatible ARC-enabled matrix outputs (MX-HT2-0404-10 and MX-HT2-0808-10). ARC audio is returned via the HDMI ports, while SPDIF breakout is provided for displays that do not support ARC. Additional audio extraction is available via the analog stereo output. HDR formats including HDR10, HDR10+, and Dolby Vision are fully supported.

With bi-directional IR, RS-232, and CEC pass-through, the RX-HT2-40-20 ensures seamless integration into modern AV control systems. PoC (Power over Cable) reduces installation complexity by requiring power at only one end of the link. Compact, robust, and installer-friendly, the RX-HT2-40-20 is ideal for residential, corporate, education, and commercial AV projects where reliable long-distance HDMI transmission with professional audio and control features is essential.

> Product Features

- HDBaseT HDMI Receiver – Designed for integration with Netvio HT2 series matrices.
- 4K60 4:4:4 Transmission – Up to 40m over CAT6a/7, or 1080p60 up to 70m.
- 18Gbps Bandwidth – HDMI 2.0b and HDCP 2.2/1.4 compliant.
- ARC Support – Available only when paired with MX-HT2-0404-10 or MX-HT2-0808-10.
- SPDIF Output – Used only for displays without ARC support.
- Analog Audio Breakout – Stereo (3.5mm mini-jack).
- HDR Formats – HDR10, HDR10+, Dolby Vision.
- Bi-Directional Control – IR, RS-232, and CEC pass-through.
- PoC (Power over Cable) – Power required at only one end of the link.
- Compact & Reliable – Professional-grade metal enclosure.

> What's Included

- 1× RX-HT2-40-20 HDBaseT Receiver
- 1× IR Blaster Cable (1.5m)
- 1× IR Receiver Cable (1.5m)
- 1× 3-pin Phoenix Connector (RS-232)
- 1× Set of Mounting Ears with Screws
- 1× User Information

> Specifications

Video

- HDMI Compliance: HDMI 1.4
- HDCP Compliance: HDCP 1.4
- Video Bandwidth: 10.2Gbps
- Supported Resolutions: Up to 1080p@60Hz
- Transmission Distance: Up to 40m (131ft) at 1080p60 via CAT6

Audio

- Audio Support: Up to 7.1CH HD audio, Dolby TrueHD, DTS-HD

Inputs / Outputs – Transmitter

- 1× HDMI In (Type-A, female)
- 1× HDMI Out (Loop, Type-A, female)
- 1× CAT Out (RJ45, 8-pin female)
- 1× IR Out (3.5mm jack)

Inputs / Outputs – Receiver

- 1× CAT In (RJ45, 8-pin female)
- 1× HDMI Out (Type-A, female)
- 1× IR In (3.5mm jack)

Mechanical

- Dimensions: 165 × 88.3 × 20 mm (6.49" × 3.47" × 0.79")
- Weight: 165g (0.36 lbs)
- Enclosure: Metal, black finish

Environmental

- Operating Temp: 0–40°C (32–104°F)
- Storage Temp: –20–60°C (–4–140°F)
- Humidity: 20–90% RH, non-condensing

Power

- Supply: DC 24V/1A (locking connector, supplied with TX)
- Consumption: 13W (max)
- PoC Supported

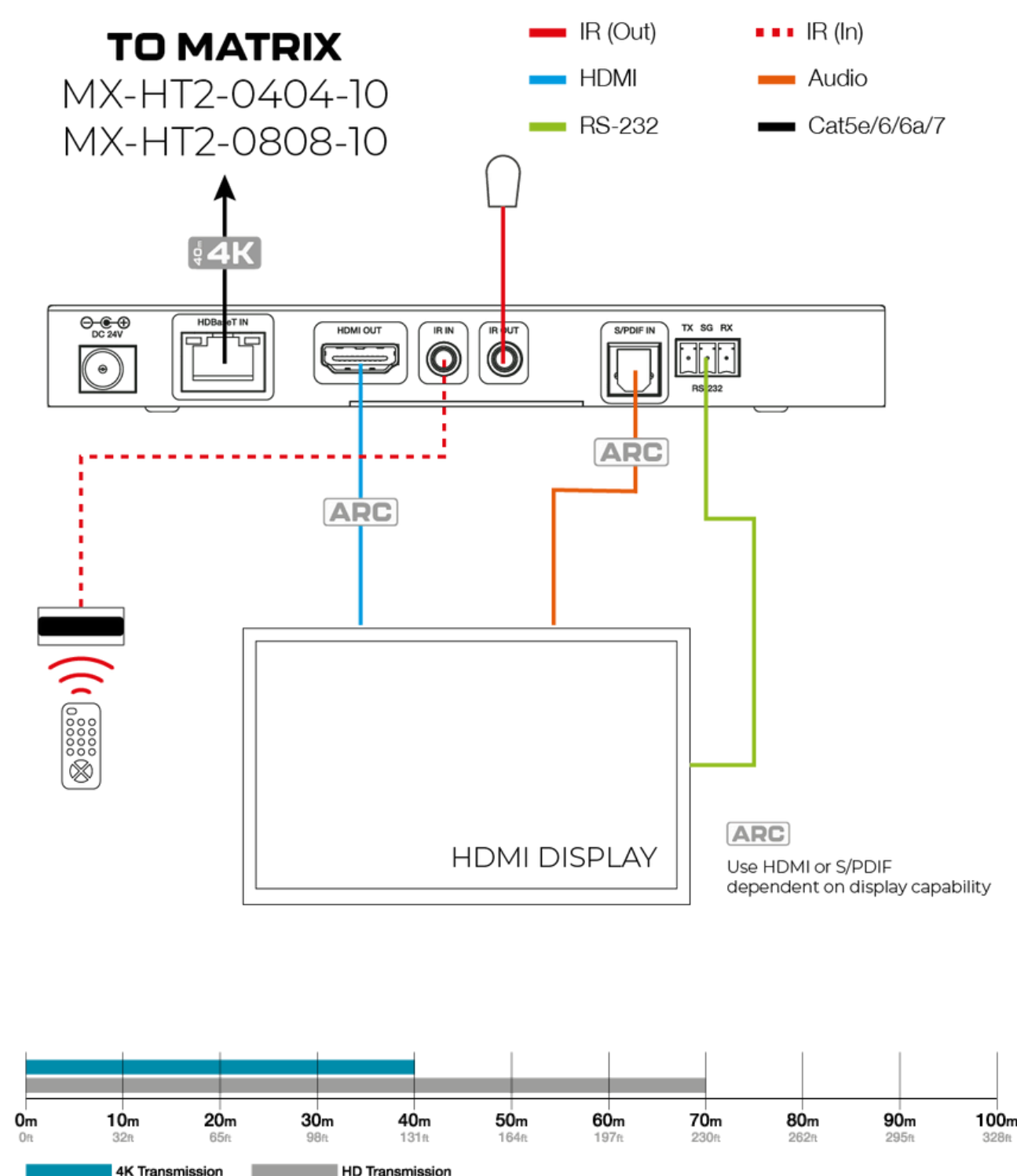
Warranty

- 5 Years (for full details, visit the Netvio website)

Connectivity

- **Inputs**
 - 1× HDBT IN (RJ45, from transmitter/matrix)
 - 1× Optical S/PDIF IN
- **Outputs**
 - 1× HDMI OUT (Type-A, video/audio, ARC supported only when paired with MX-HT2-0404-10 or MX-HT2-0808-10)
 - 1× Analog Stereo OUT (3.5mm mini-jack)
 - 1× Optical S/PDIF OUT (used for displays without ARC support)
- **Control**
 - 1× IR IN (3.5mm mini-jack)
 - 1× IR OUT (3.5mm mini-jack)
 - 1× RS-232 (3-pin Phoenix)
 - 1× Micro-USB (service/firmware)
- **Power**
 - 1× DC 24V/1A input (PoC supported; power required at TX or RX only)

> Wiring Diagram



> A&E Specification

The unit shall be a Netvio RX-HT2-40-20 HDMI HDBaseT Receiver supporting HDMI 2.0b and HDCP 2.2/1.x. It shall transmit video up to 4K60 4:4:4 at 40m or 1080p60 at 70m over a single CAT6a/7 cable.

The device shall support 18Gbps bandwidth, HDR formats including HDR10, HDR10+, Dolby Vision, and audio formats including PCM, Dolby, DTS, and DSD.

The receiver shall provide ARC functionality only when paired with Netvio MX-HT2-0404-10 or MX-HT2-0808-10 matrices. ARC shall be available via HDMI ports. SPDIF audio breakout shall be provided only for displays that do not support ARC. Additional analog stereo output shall also be available.

The receiver shall support bi-directional IR, RS-232, and CEC pass-through, with a micro-USB port for firmware/service. The unit shall include PoC (Power over Cable) and operate with a 24V/1A supply, consuming no more than 13W.

The enclosure shall be metal, measuring 165 × 88.3 × 20 mm (6.49" × 3.47" × 0.79") and weighing 165g (0.36 lbs).