

## Highlights:

- 1.5 mm thick cold rolled steel frame
- Structured and scratch resistant black powder coating
- Compatible with any CASY chassis
- Solderless connections
- Flexible system for system integration & connectivity

## Product information:

The CASY285GI is fitted with a type F German power socket (IP54) on the front side, that leads to a lever actuated splicing connector on the back. This flexible structure for system integration & connectivity can easily be implemented in a wide variety of CASY chassis.

Please look for your local regulation to know which type of connector is allowed in your territory.

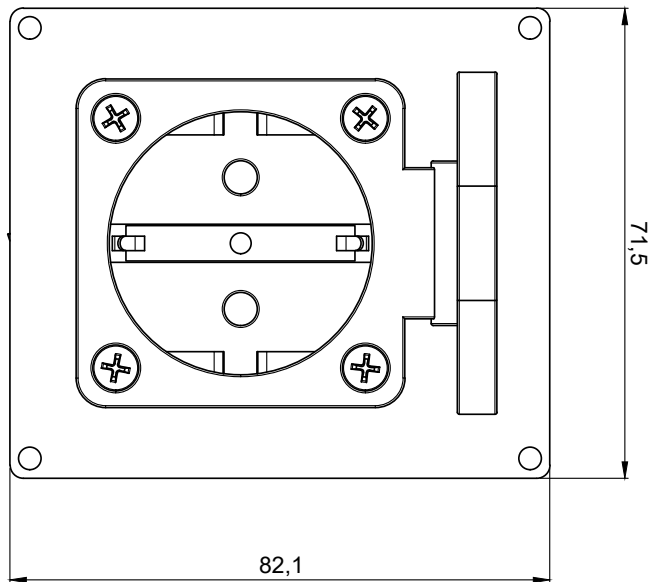



## Product Features:

Dimensions	71.5 x 82.1 mm (W x H)	
Weight	0.124 kg	
Module	Space	2
Connection	German socket (IP54) Female type F (CEE 7/4) to lever actuated splicing connector	

## Variants:

- CASY285GI/B - Black version



	
<b>CASY285GI</b>	<b>Product description:</b> CASY 2 SPACE WITH GERMAN SCHUKO OUTLET IP54
<b>Weight:</b> 124 g	<b>Outer dimensions:</b> (w x h x d) 71,5 x 82,1 x 39
	<b>Unit height:</b> 2 HE